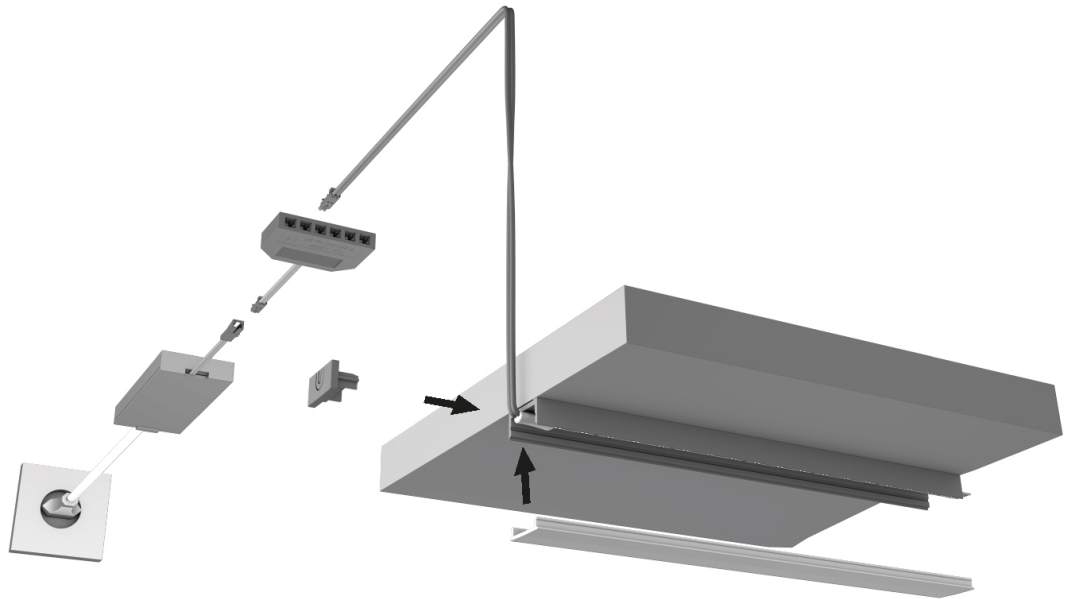


Assembly drawing



Mass drawing

