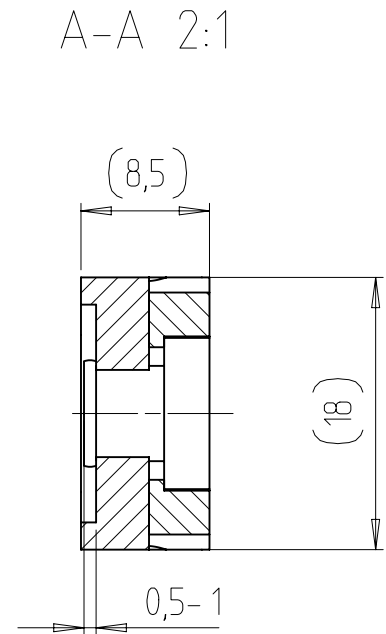
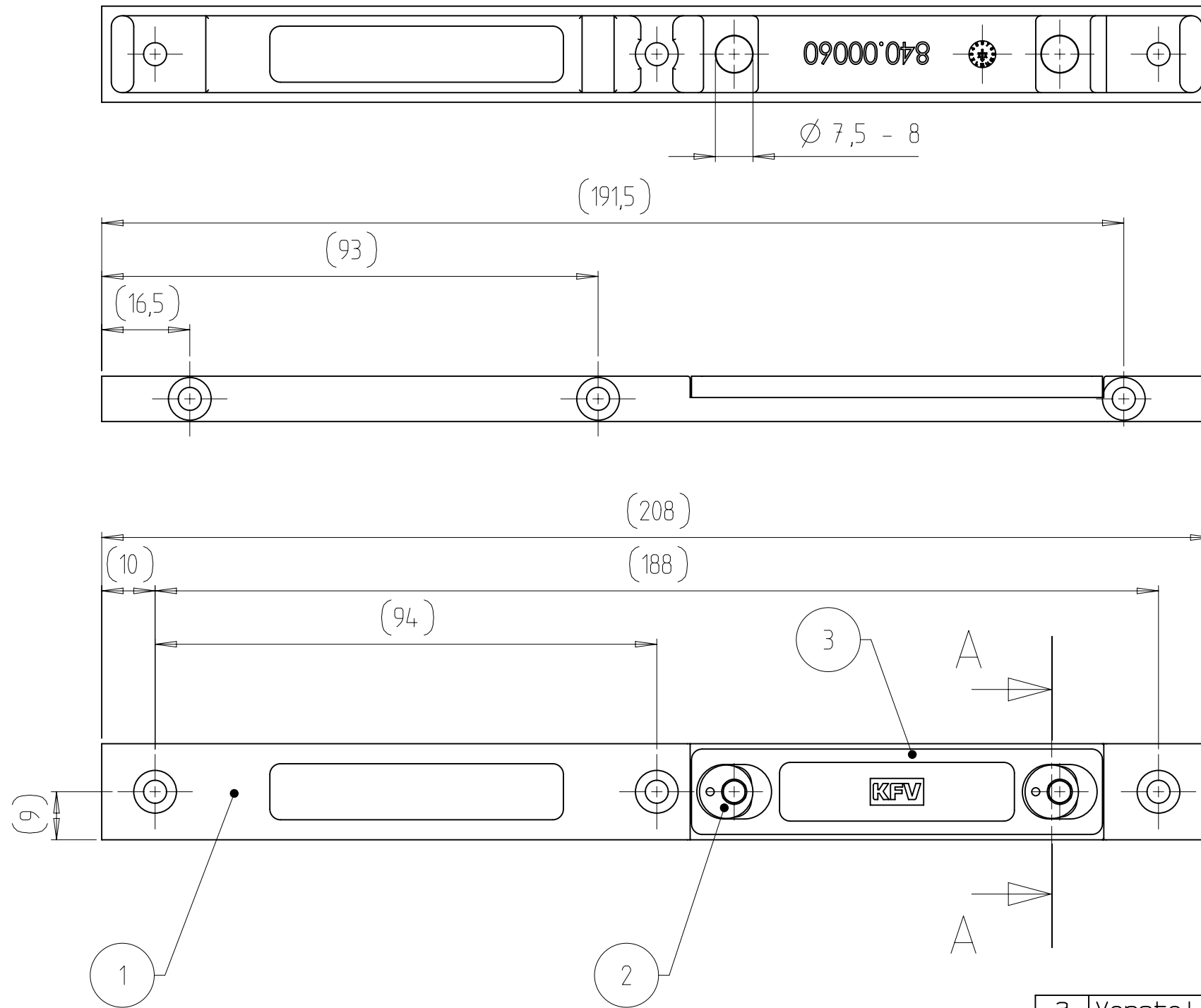


The Drawing and its contents are to be kept secret from third parties, particularly competitors. The drawing and documents which go with it are not to be duplicated either in local or extract, or used in other documentation without express approval (§15 and 38 UrHG - §1 and 18 UWG). A reservation of rights in accordance with §12 PatG is declared for the event that a patent is granted.



Tolerierung nach ISO 8015  
 Pos. 1 und 3 mit Pos. 2 vertaumelt

3	Verstellplatte	1	9.402.00062	000	
2	Rd_Exzenter_Stufendorn	2	9.714.00013	000	
1	Flachschliessblech	1	9.840.00060	000	
Pos	Benennung	Stck	PDM-Nr.	Teil	Bemerk
Qty.	Type of Modification	Übernahme nach UG		ANT	Drawn
1				WK1-1899901	Patrick Thode
Volume /mm <sup>3</sup>	Weight/g	Material-No.	Item-No.	Approved	
15567	107,561		19-512V	Müller-Bacher	
Scale		Tolerance	Part-Description		
1 : 1		ISO2768MK	Flachschliessblech		
Additional Notice		Document No.		Doc. Part No.	Revision
Drawn: Kandyba		7.840.00043		000	25
Date: 28.03.2001		<b>KFV</b>		Test procedure	
Appr.: Kaufmann				Size	
Date: 27.04.2001		Replaced by :		A3	

20