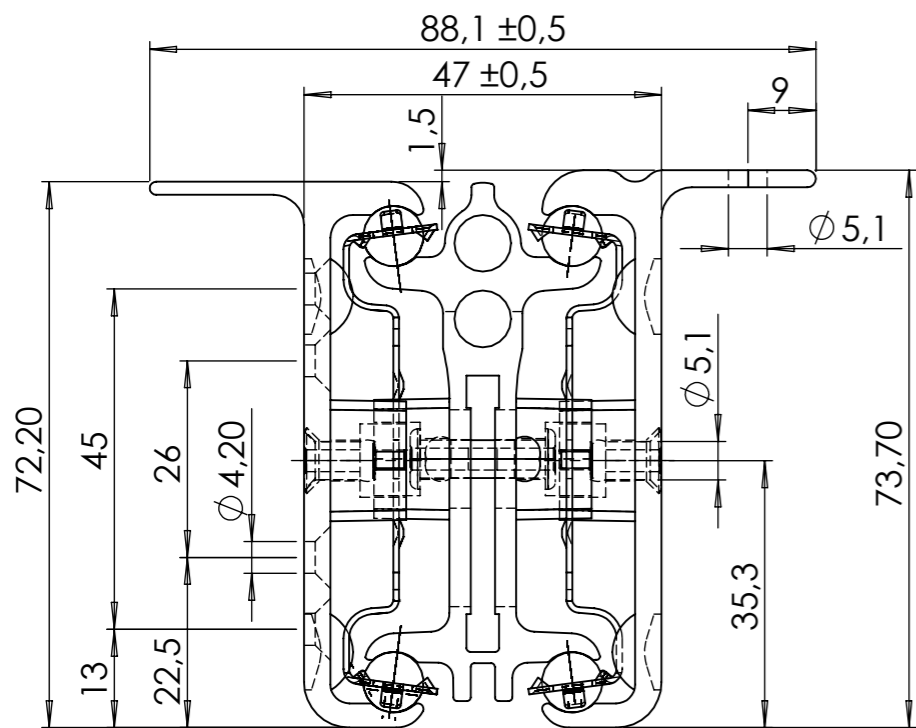
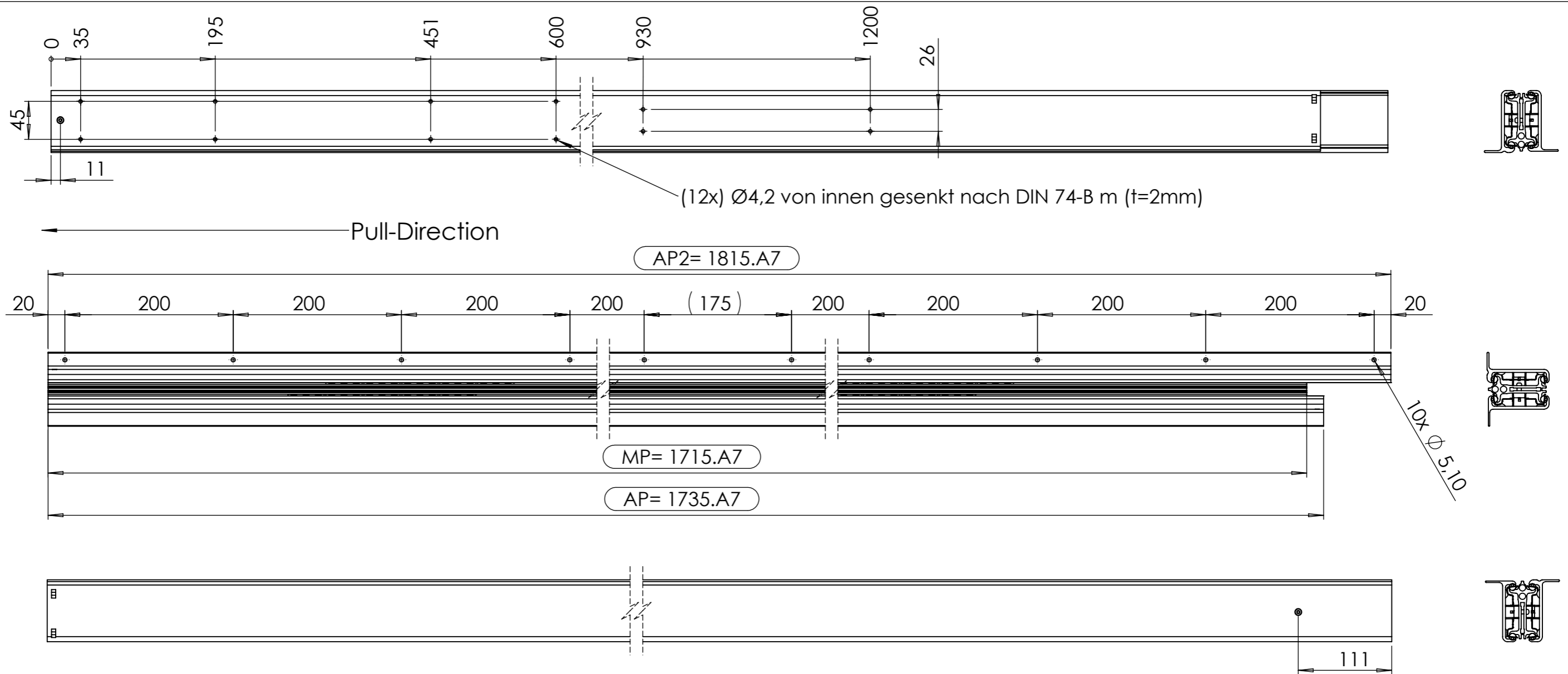
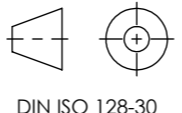



All property rights and rights to exploitation of copyright for this drawing data remain ours; they may not be made available to third parties without our consent.



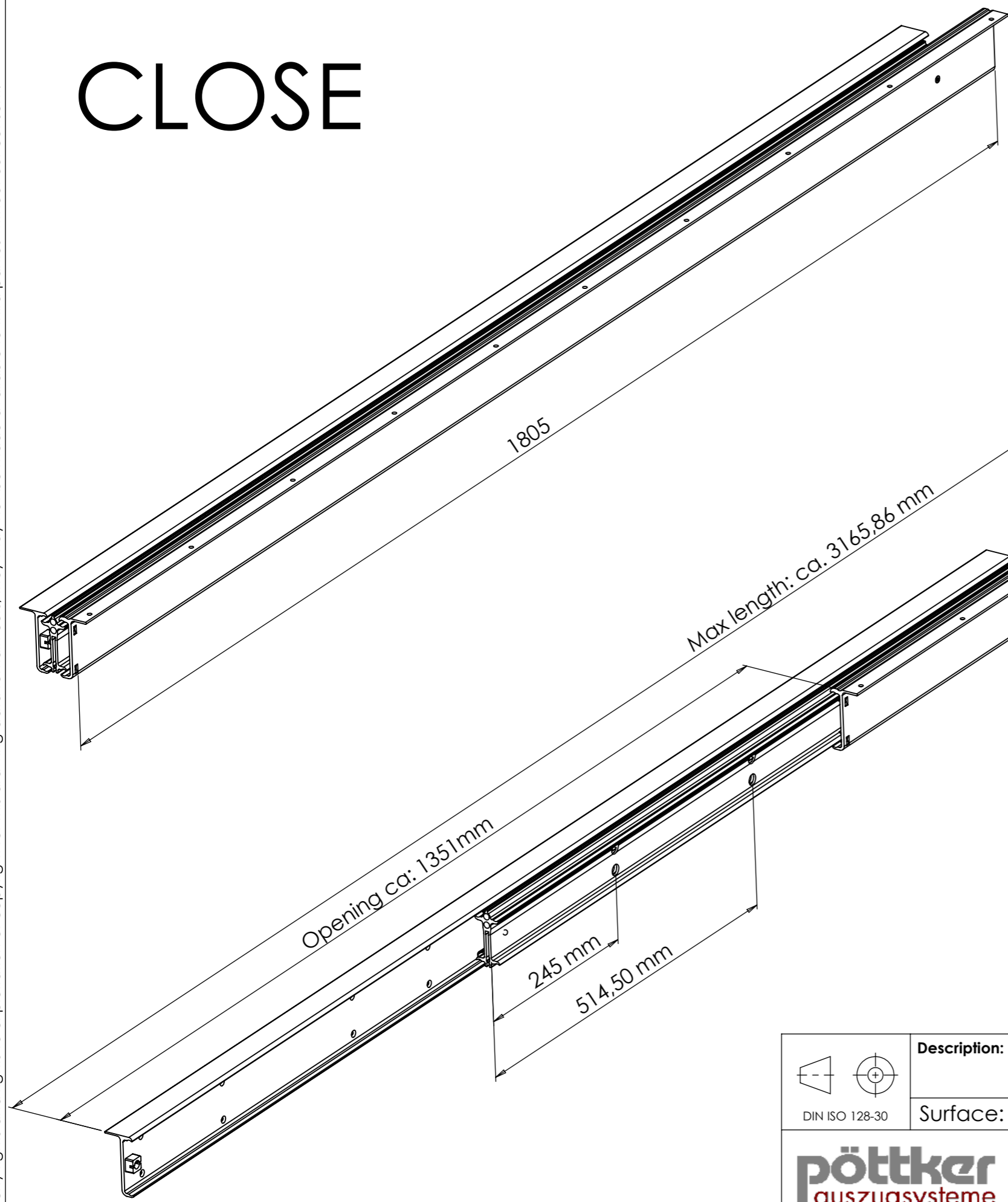
metal ball-retainer: **5-5** segments
opening: ca. **1351** mm

!! Attention !!
Designed right mirror-imaged left

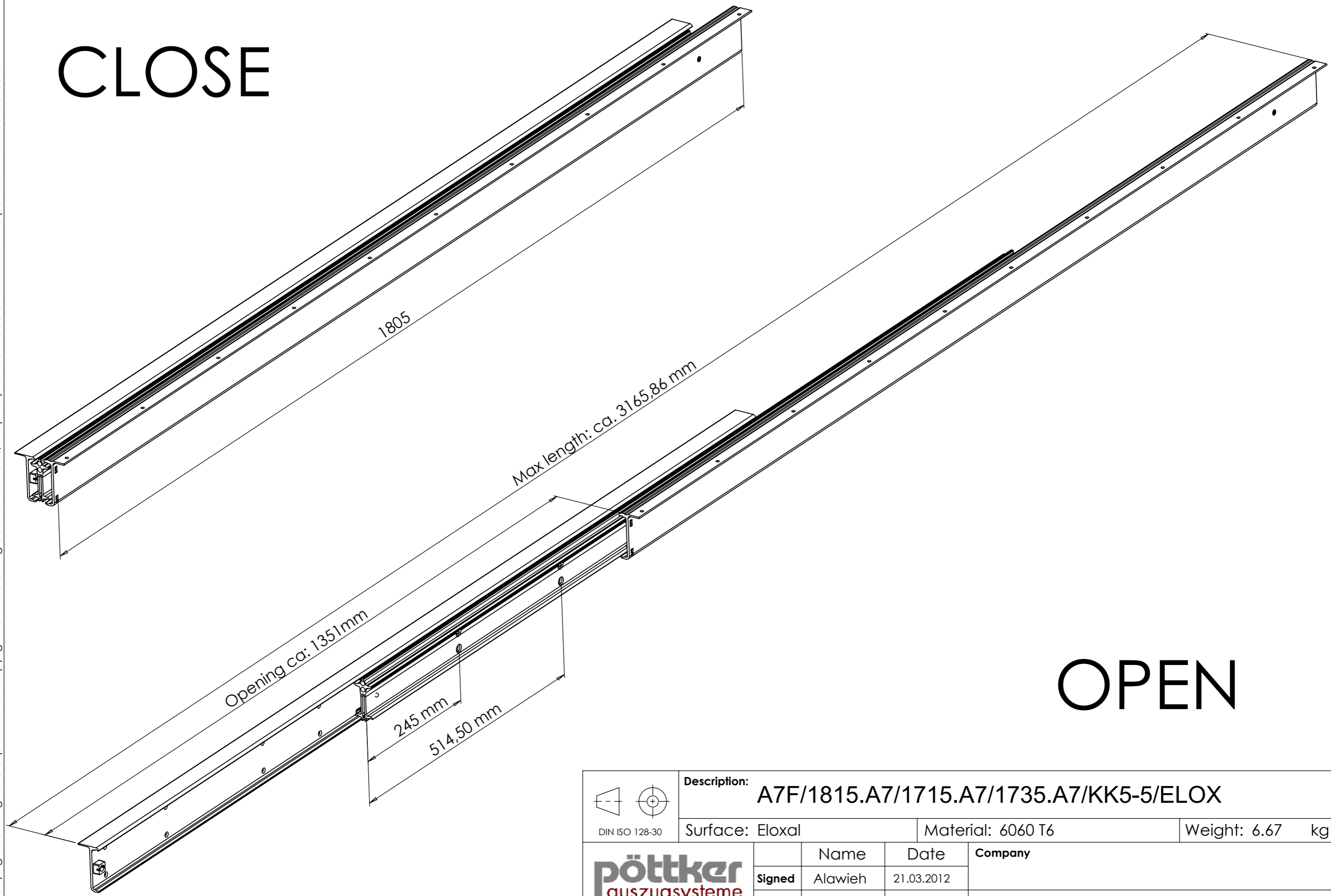
Index	Change	Date	Name		
 DIN ISO 128-30	Description: A7F/1815.A7/1715.A7/1735.A7/KK5-5/ELOX				
	Surface: Eloxal	Material: 6060 T6	Weight: 6.67 kg		
	Name	Date	Company		
	Signed	Alawieh	21.03.2012	Second Company:	
Tested					
General tolerance: DIN ISO 2768 -1		Item No: 77181813	Scale 1:5	Page 1/6	A3

All property rights and rights to exploitation of copyright for this drawing data remain ours; they may not be made available to third parties without our consent.

CLOSE

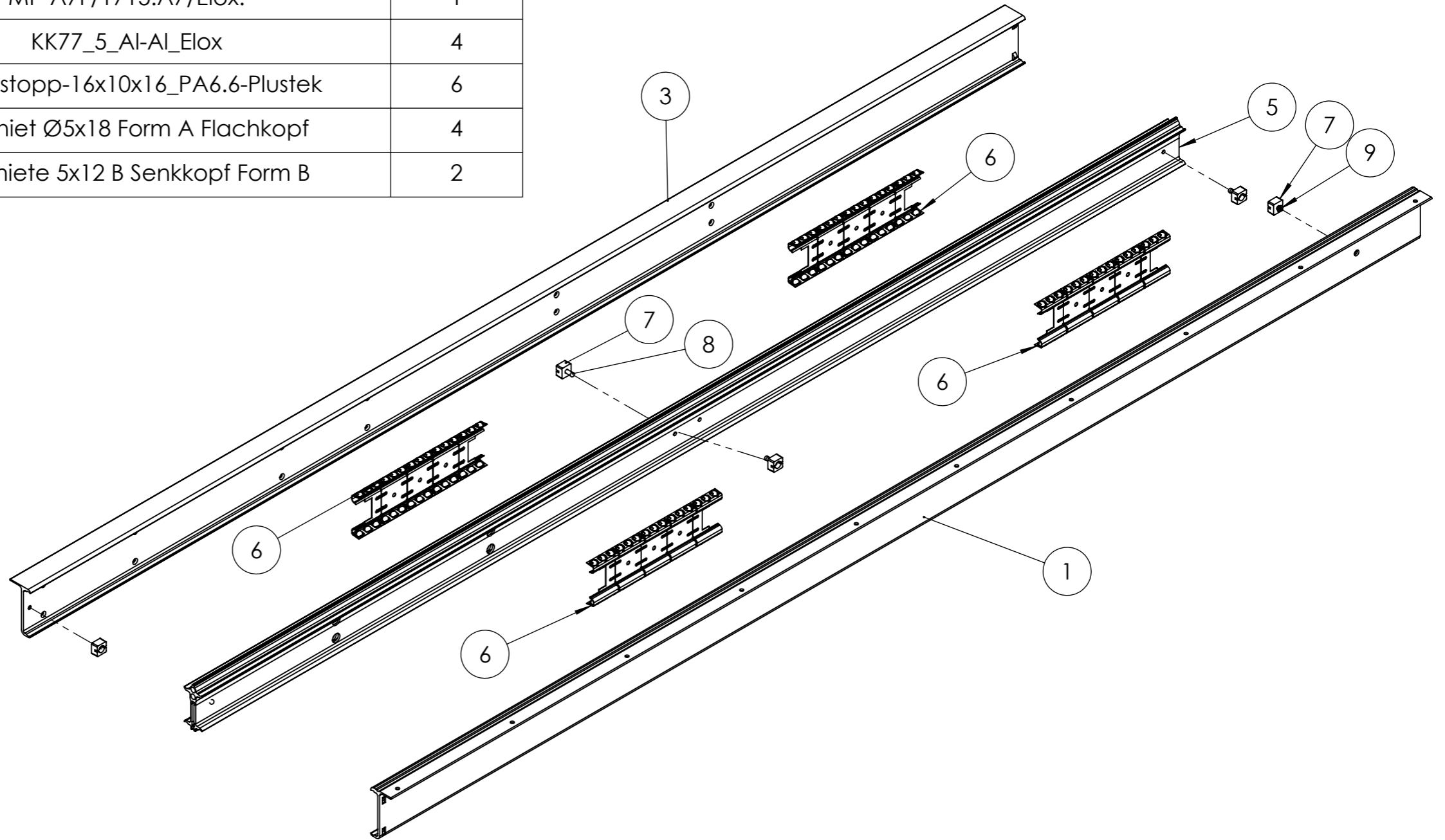


OPEN



 DIN ISO 128-30	Description: A7F/1815.A7/1715.A7/1735.A7/KK5-5/ELOX				
	Surface: Eloxal		Material: 6060 T6		Weight: 6.67 kg
	Name	Date	Company		
	Signed	Alawieh	21.03.2012	Second Company:	
	Tested	(blank)	(blank)		
General tolerance: DIN ISO 2768 -1		Item No: 77181813	Scale 1:5	Page 2/6	A3

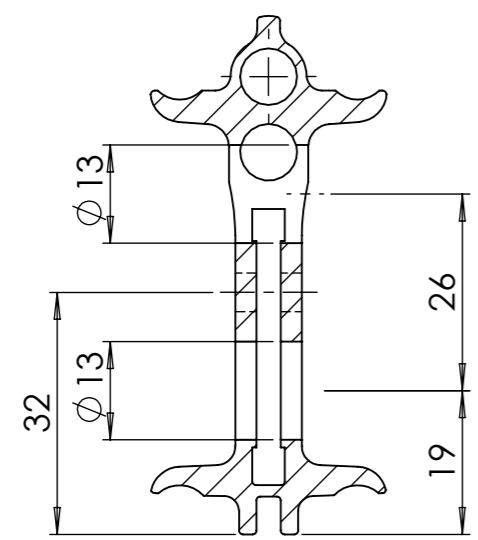
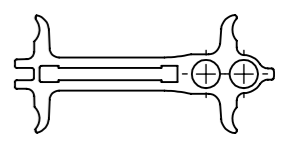
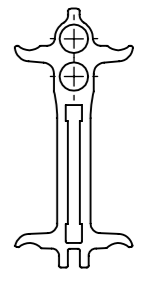
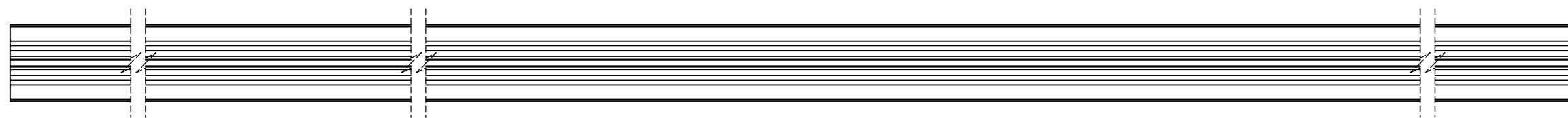
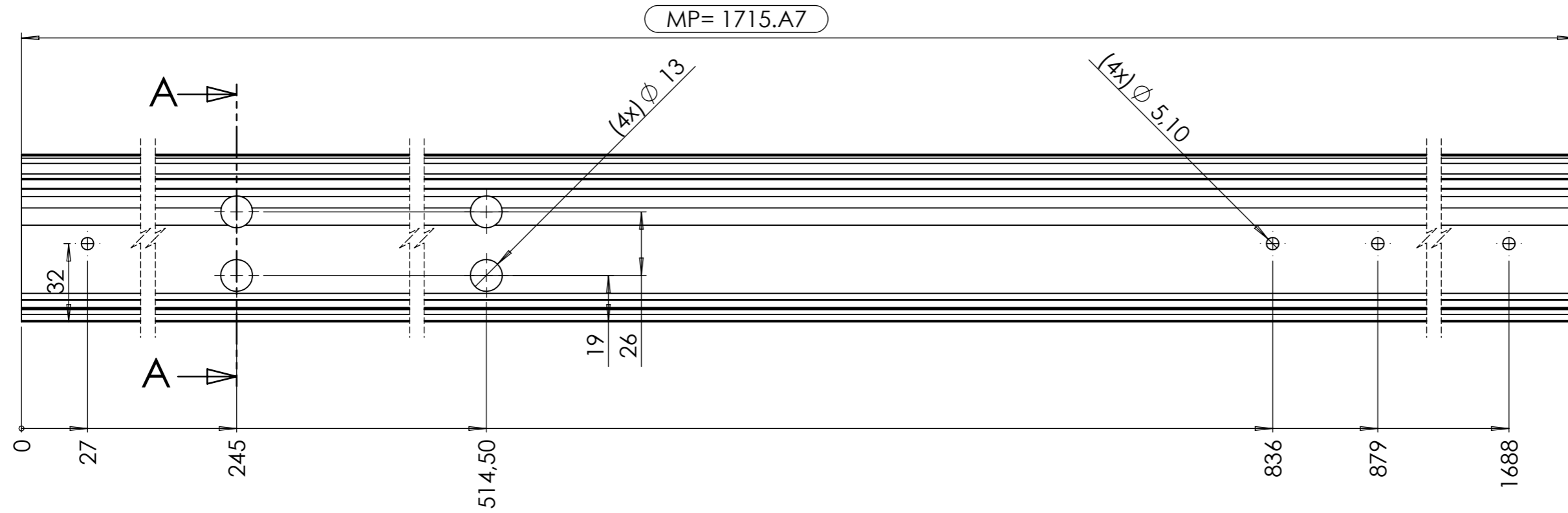
POS.	Item.No	Artikelbezeichnung	Mengex2
1	78181504	AP2-A7F/1815.A7/Typ01/Rechts/Elox.	1
2	78181502	AP2-A7F/1815.A7/Typ01/Links/Elox.	1
3	78173504	AP-A7F/1735.A7/Typ01/Rechts/Elox.	1
4	78173503	AP-A7F/1735.A7/Typ01/Links/Elox.	1
5	78171601	MP-A7F/1715.A7/Elox.	1
6	78990336	KK77_5_Al-Al_Elox	4
7	16053	Würfelstopp-16x10x16_PA6.6-Plustek	6
8	15183	Blindniet Ø5x18 Form A Flachkopf	4
9	15501	Blindniete 5x12 B Senkkopf Form B	2



All property rights and rights to exploitation of copyright for this drawing data remain ours; they may not be made available to third parties without our consent.

<p>DIN ISO 128-30</p>	Description: A7F/1815.A7/1715.A7/1735.A7/KK5-5/ELOX		
	Surface: Eloxal	Material: 6060 T6	Weight: 6.67 kg
	Name	Date	Company
	Signed	Alawieh	21.03.2012
	Tested		
General tolerance: DIN ISO 2768 -1		Item No: 77181813	Scale 1:6
		Page 3/6	A3

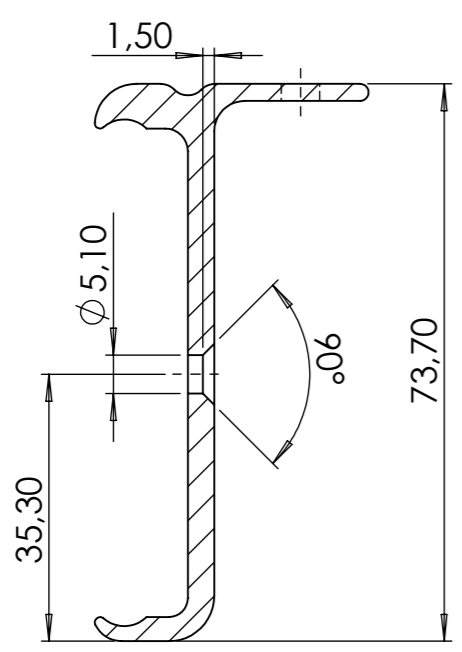
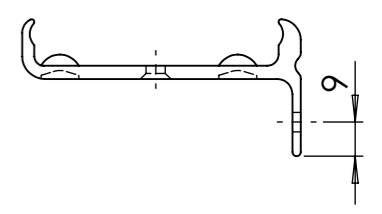
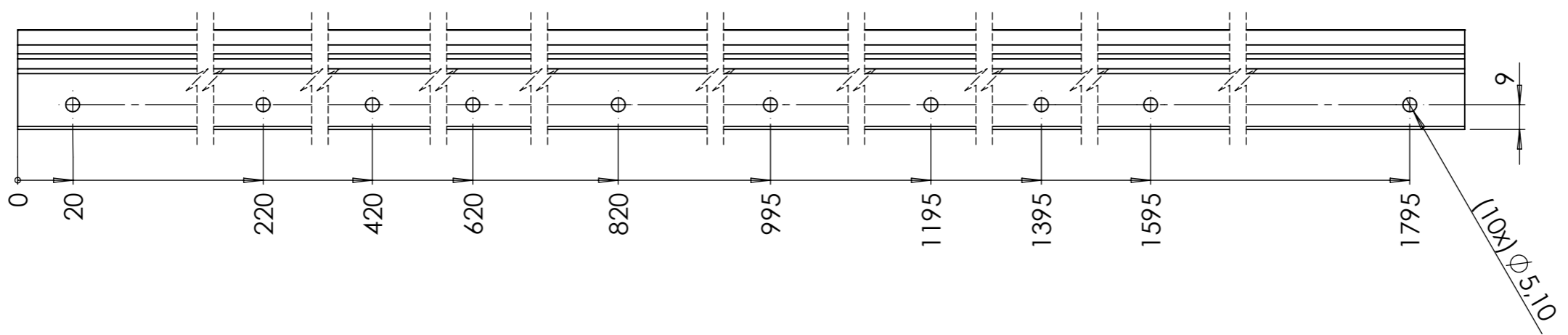
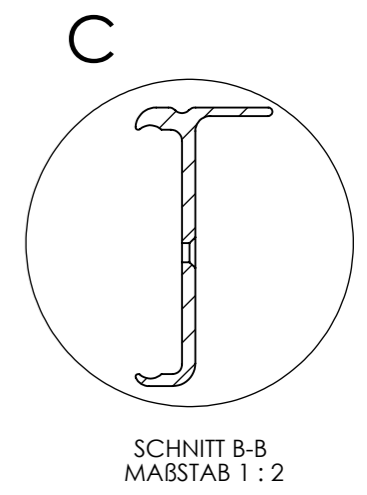
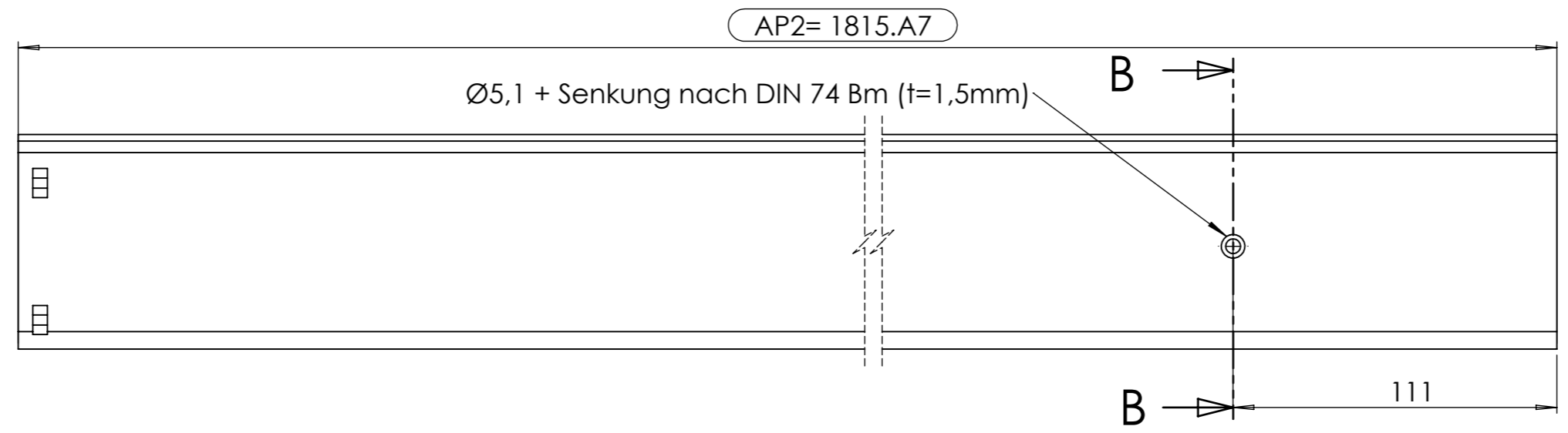
All property rights and rights to exploitation of copyright for this drawing data remain ours; they may not be made available to third parties without our consent.



Bohrungs- und Profilschnittkanten
Gratfrei nach DIN ISO 13715 (- 0,1)

<p>DIN ISO 128-30</p>	Description: MP-A7F/1715.A7/Elox.				
	Surface: Eloxal		Material: 6060 T6	Weight: 2.42 kg	
	Name	Date	Company		
	Signed	Alawieh	21.03.2012	Second Company:	
Tested					
General tolerance: DIN ISO 2768 -1		Item No: 78171601	Scale 1:2	Page 4/6	A3

All property rights and rights to exploitation of copyright for this drawing data remain ours; they may not be made available to third parties without our consent.



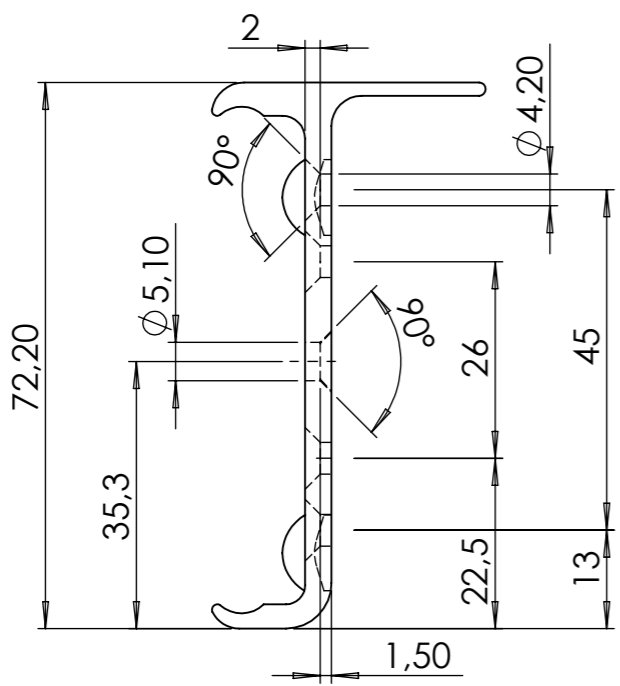
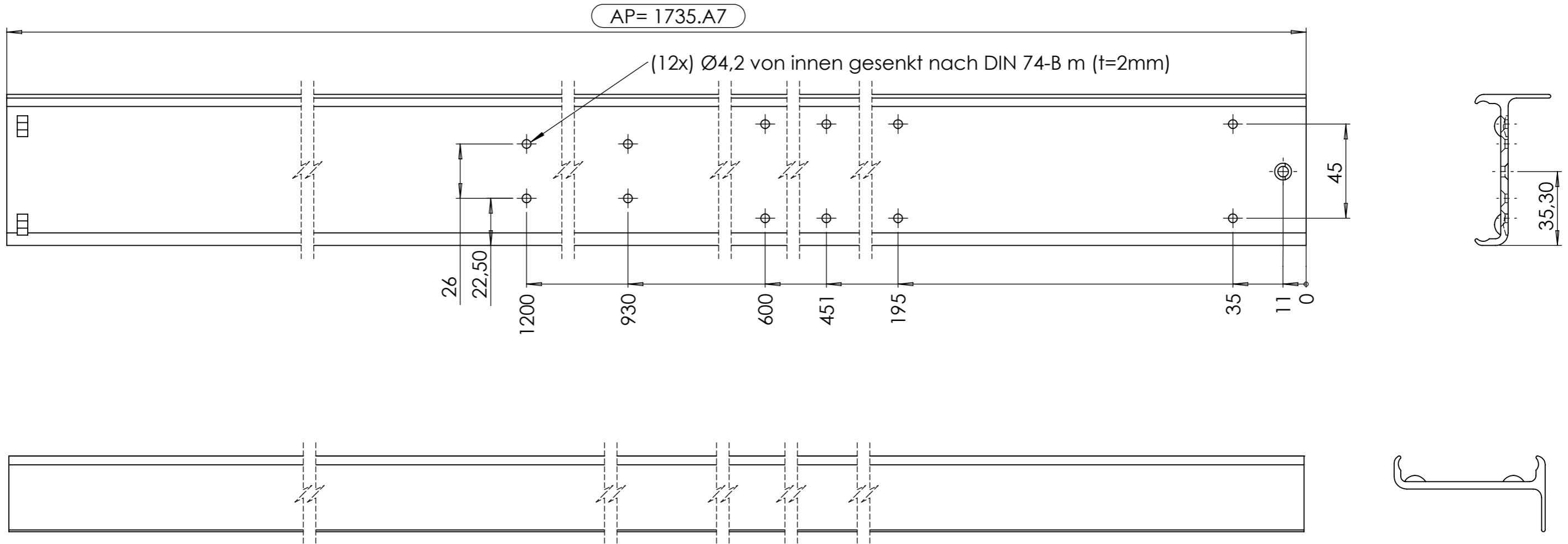
DETAIL C
MAßSTAB 1 : 1

Bohrungs- und Profilschnittkanten
Gratfrei nach DIN ISO 13715 (- 0,1)

!! Attention !!
Designed right mirror-imaged left

<p>DIN ISO 128-30</p>	Description: AP2-A7F/1815.A7/Typ01/Rechts/Elox.				
	Surface: Eloxal		Material: 6060 T6	Weight: 1.91 kg	
	Name	Date	Company		
	Signed: Alawieh	21.03.2012	Second Company:		
General tolerance: DIN ISO 2768 -1		Item No: 78181504	Scale 1:2	Page 5/6	A3

All property rights and rights to exploitation of copyright for this drawing data remain ours; they may not be made available to third parties without our consent.



!! Attention !!
Designed right mirror-imaged left

 DIN ISO 128-30	Description: AP-A7F/1735.A7/Typ01/Rechts/Elox.				
	Surface: Eloxal		Material: 6060 T6	Weight: 1.70 kg	
 pöttker auszugssysteme	Name	Date	Company		
	Signed	Alawieh	21.03.2012		
Tested			Second Company:		
General tolerance: DIN ISO 2768 -1		Item No: 78173504	Scale 1:2	Page 6/6	A3

Bohrungs- und Profilschnittkanten
Gratfrei nach DIN ISO 13715 (-0,1)