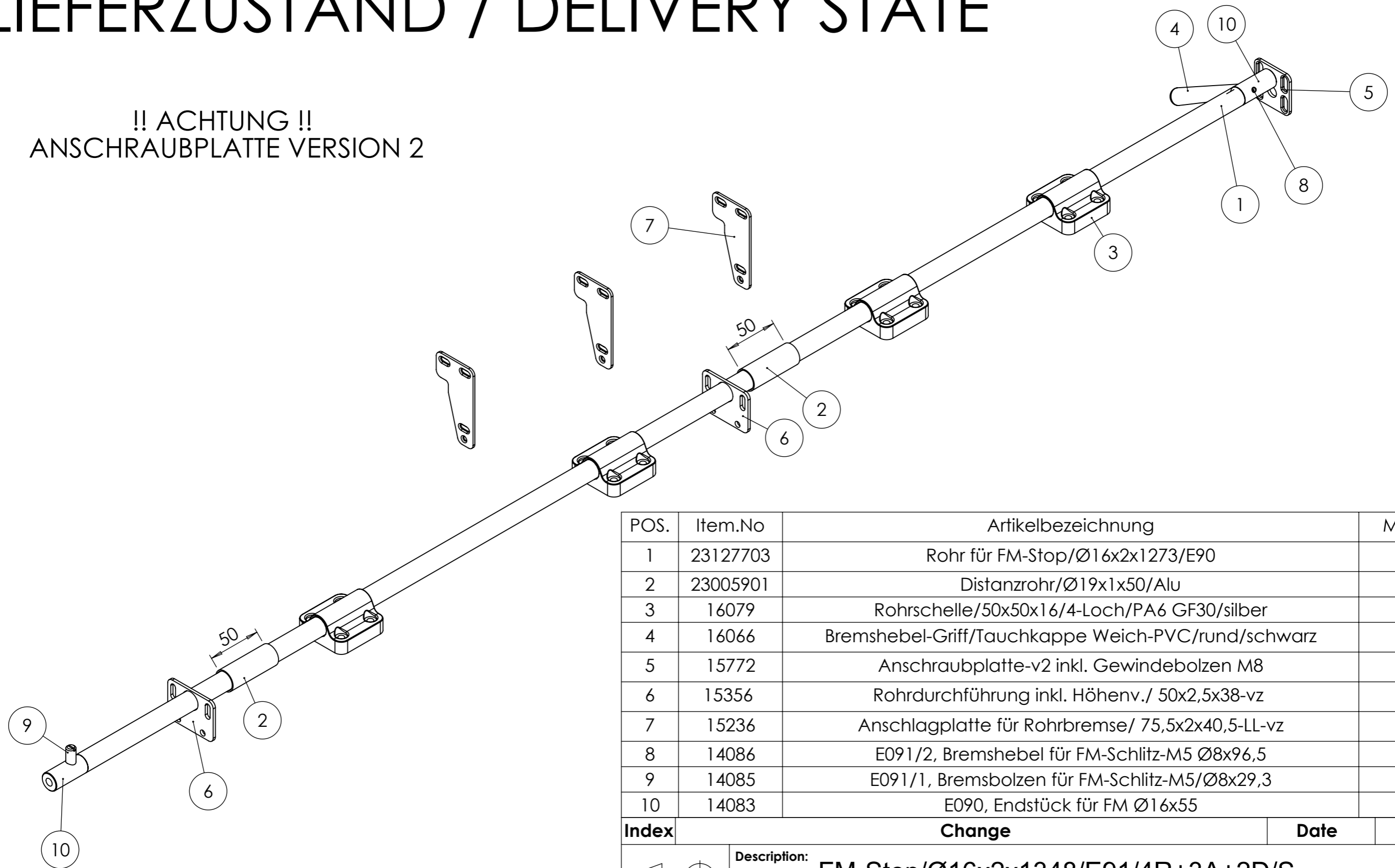


LIEFERZUSTAND / DELIVERY STATE

!! ACHTUNG !!
ANSCHRAUBPLATTE VERSION 2

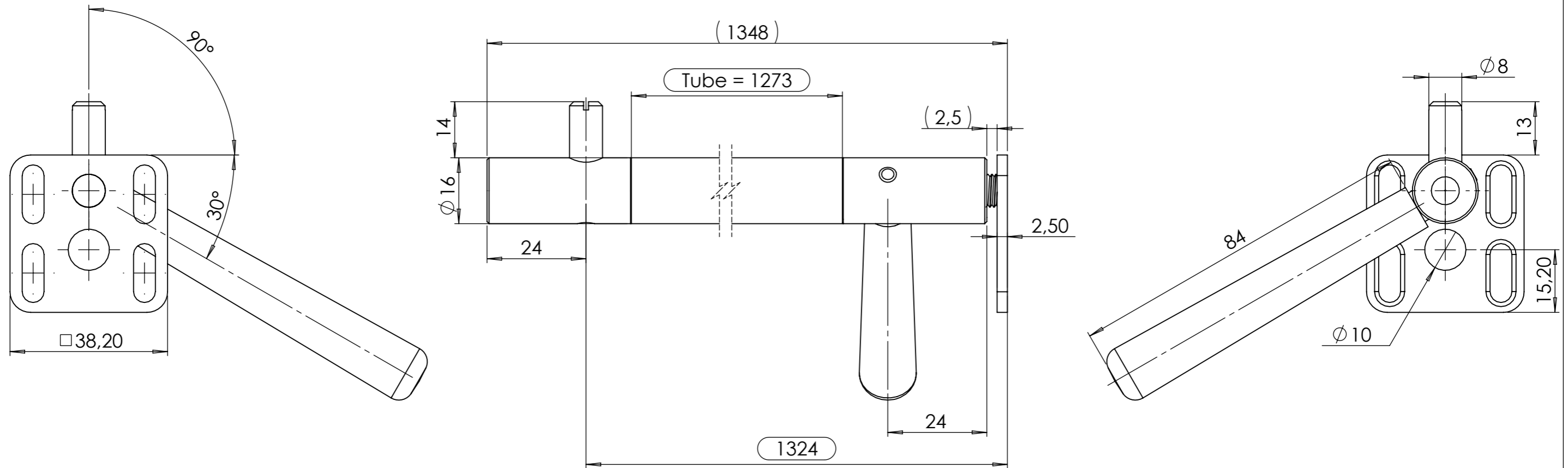


| POS. | Item.No | Artikelbezeichnung | Menge |
|------|----------|--|-------|
| 1 | 23127703 | Rohr für FM-Stop/Ø16x2x1273/E90 | 1 |
| 2 | 23005901 | Distanzrohr/Ø19x1x50/Alu | 2 |
| 3 | 16079 | Rohrschelle/50x50x16/4-Loch/PA6 GF30/silber | 4 |
| 4 | 16066 | Bremshebel-Griff/Tauchkappe Weich-PVC/rund/schwarz | 1 |
| 5 | 15772 | Anschrubplatte-v2 inkl. Gewindebolzen M8 | 1 |
| 6 | 15356 | Rohrdurchführung inkl. Höhenv./ 50x2,5x38-vz | 2 |
| 7 | 15236 | Anschlagplatte für Rohrbremse/ 75,5x2x40,5-LL-vz | 3 |
| 8 | 14086 | E091/2, Bremshebel für FM-Schlitz-M5 Ø8x96,5 | 1 |
| 9 | 14085 | E091/1, Bremsbolzen für FM-Schlitz-M5/Ø8x29,3 | 1 |
| 10 | 14083 | E090, Endstück für FM Ø16x55 | 2 |

| Index | Change | | Date | Name | |
|-------------------------------------|---|--------------------------|-------------------|-----------------|-----------|
| DIN ISO 128-30 | Description: FM-Stop/Ø16x2x1348/E91/4R+3A+2D/S | | | Weight: 1.32 kg | |
| | Surface: | | Material: diverse | | |
| Transforming furniture | Name | Date | Company | | |
| | Signed | Woracek | 01.02.2017 | Second Company: | |
| Tested | P. Vandyc | 16.01.2019 | | | |
| General tolerance: DIN ISO 2768 - m | | Item No: 23134103 | Scale 1:3 | Page 1/2 | A3 |

All property rights and rights to exploitation of copyright for this drawing data remain ours; they may not be made available to third parties without our consent.

All property rights and rights to exploitation of copyright for this drawing data remain ours; they may not be made available to third parties without our consent.



| Index | Change | | | Date | Name |
|-------------------------------------|---|-----------------|--------------------------|-----------------|------------------------|
| DIN ISO 128-30 | Description: FM-Stop/Ø16x2x1348/E91/4R+3A+2D/S | | | | |
| | Surface: | | Material: diverse | | Weight: 1.32 kg |
| Transforming furniture | Name | Date | Company | | |
| | Signed | Woracek | 01.02.2017 | | |
| | Tested | P. Vandyc | 16.01.2019 | Second Company: | |
| General tolerance: DIN ISO 2768 - m | | Item No: | 23134103 | Scale 1:1 | Page 2/2 |
| | | | | | A3 |