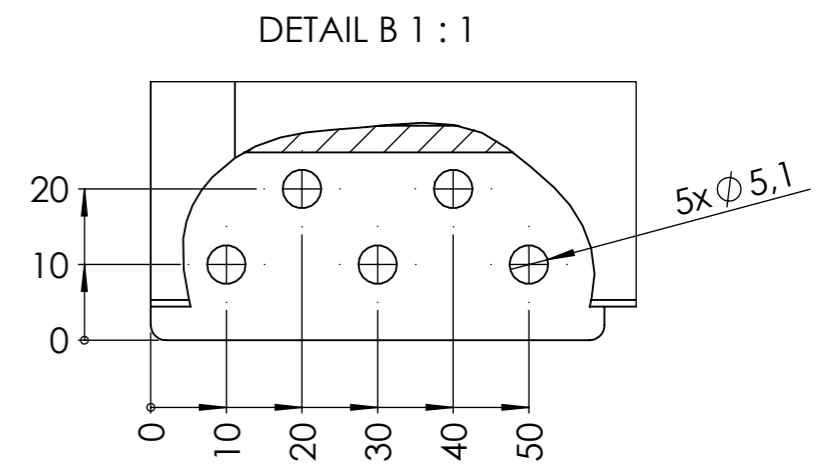
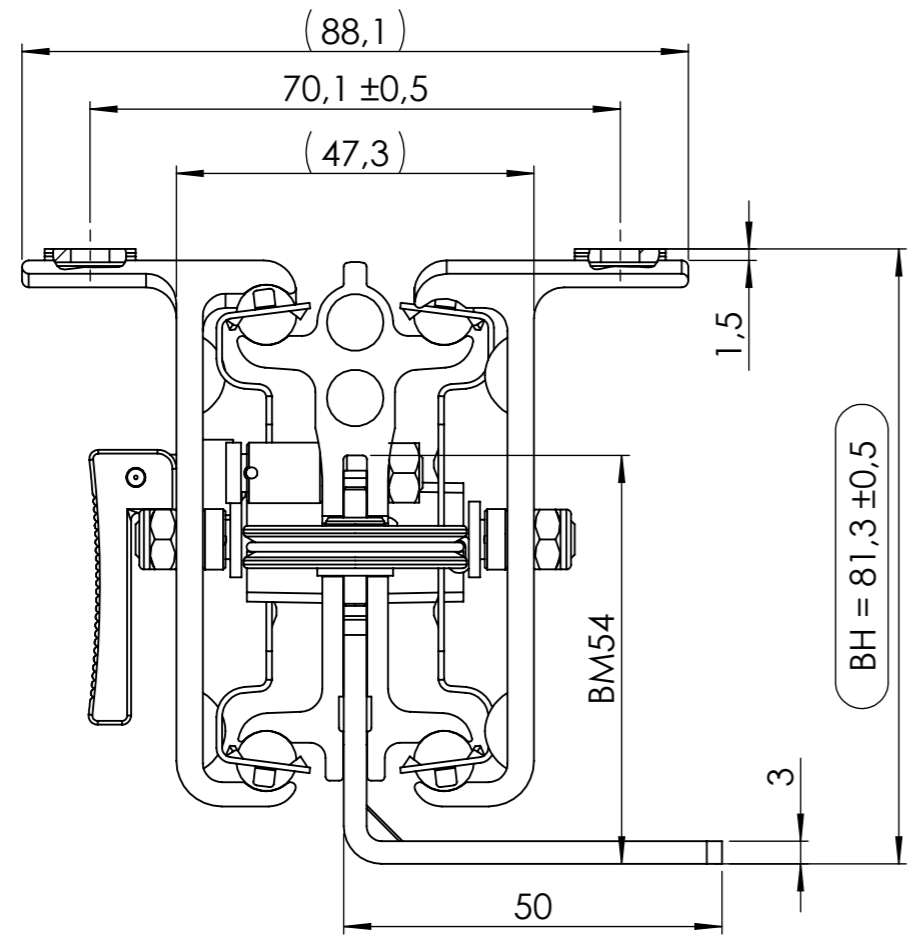
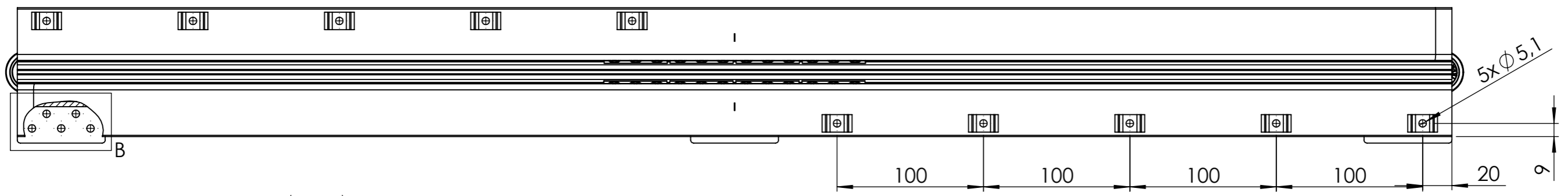
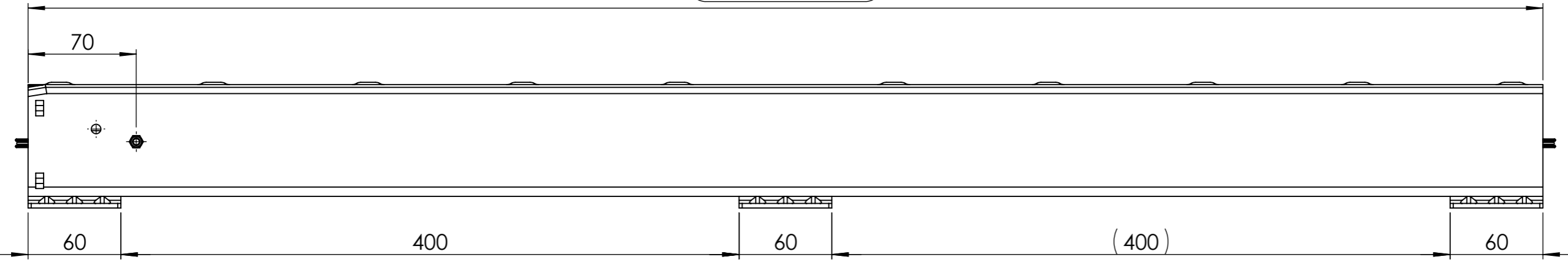
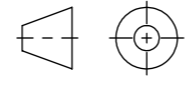



All property rights and rights to exploitation of copyright for this drawing data remain ours; they may not be made available to third parties without our consent.

AP + MP = 980

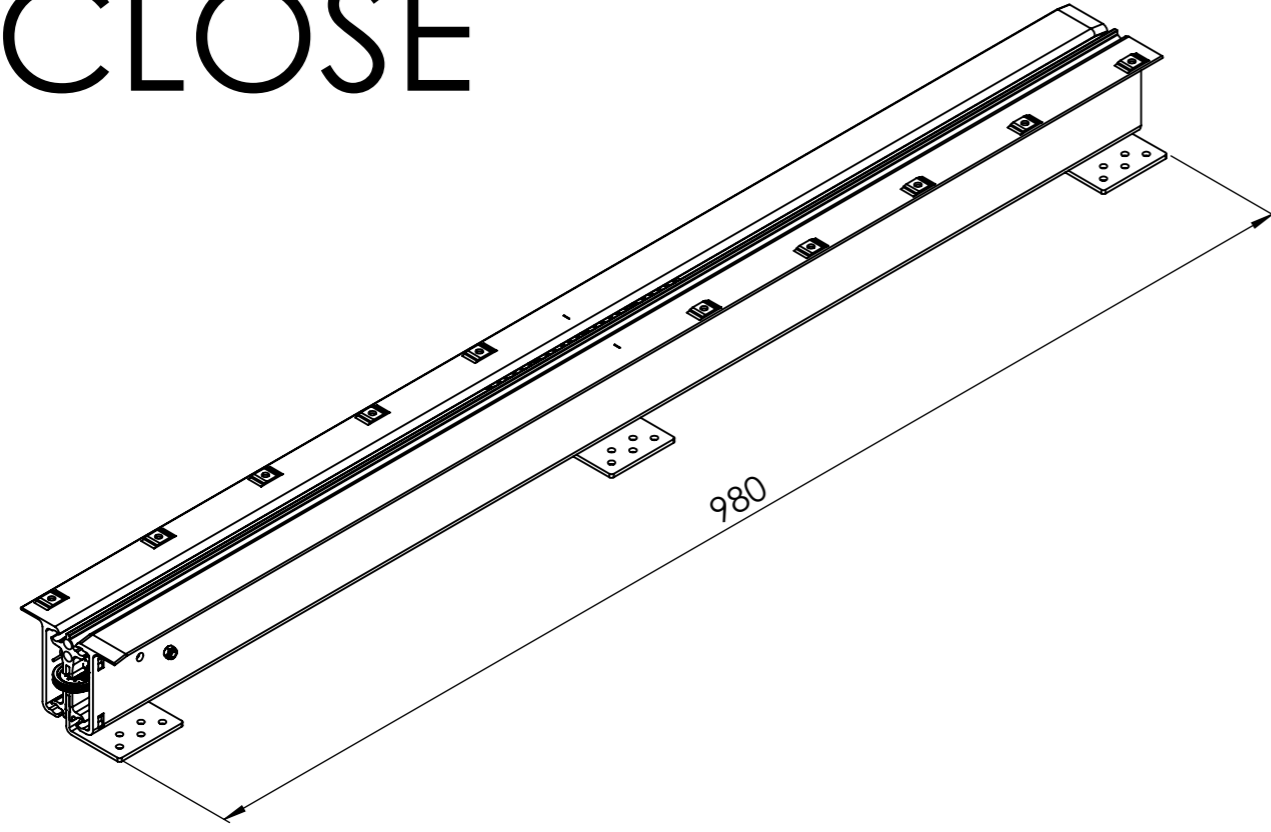


opening : ca.1563 mm

Index	Change		Date	Name	
 DIN ISO 128-30	Description: A7-SB/980.A7/980.A7/KK4/BH81				
	Surface: diverse		Material: diverse		Weight: 4.02 kg
 Transforming furniture	Signed	Name Carrera	Date 29.03.12	Company Second Company:	
	Tested	Name D.Carrera	Date 23.03.2020		
General tolerance: DIN ISO 2768 - m		Item No: 77098702	Scale 1:3	Page 1/3	A3

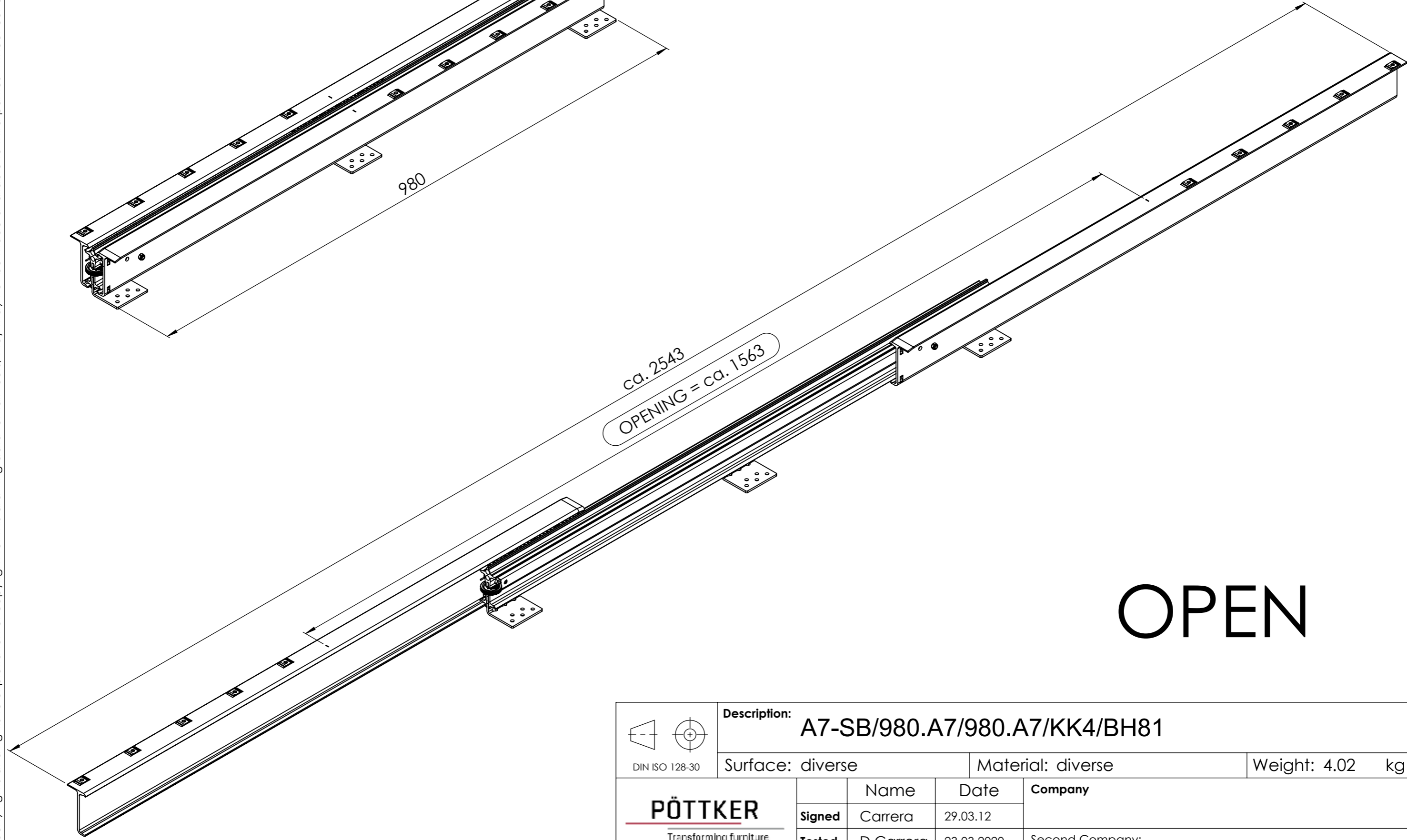
All property rights and rights to exploitation of copyright for this drawing data remain ours; they may not be made available to third parties without our consent.

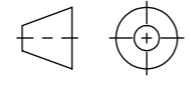

CLOSE



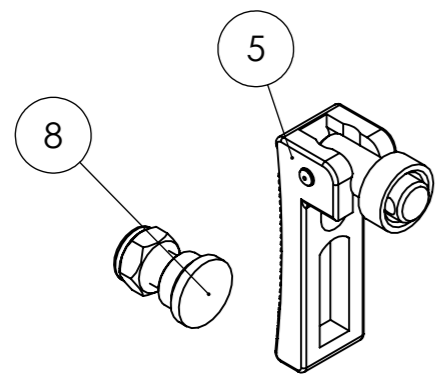
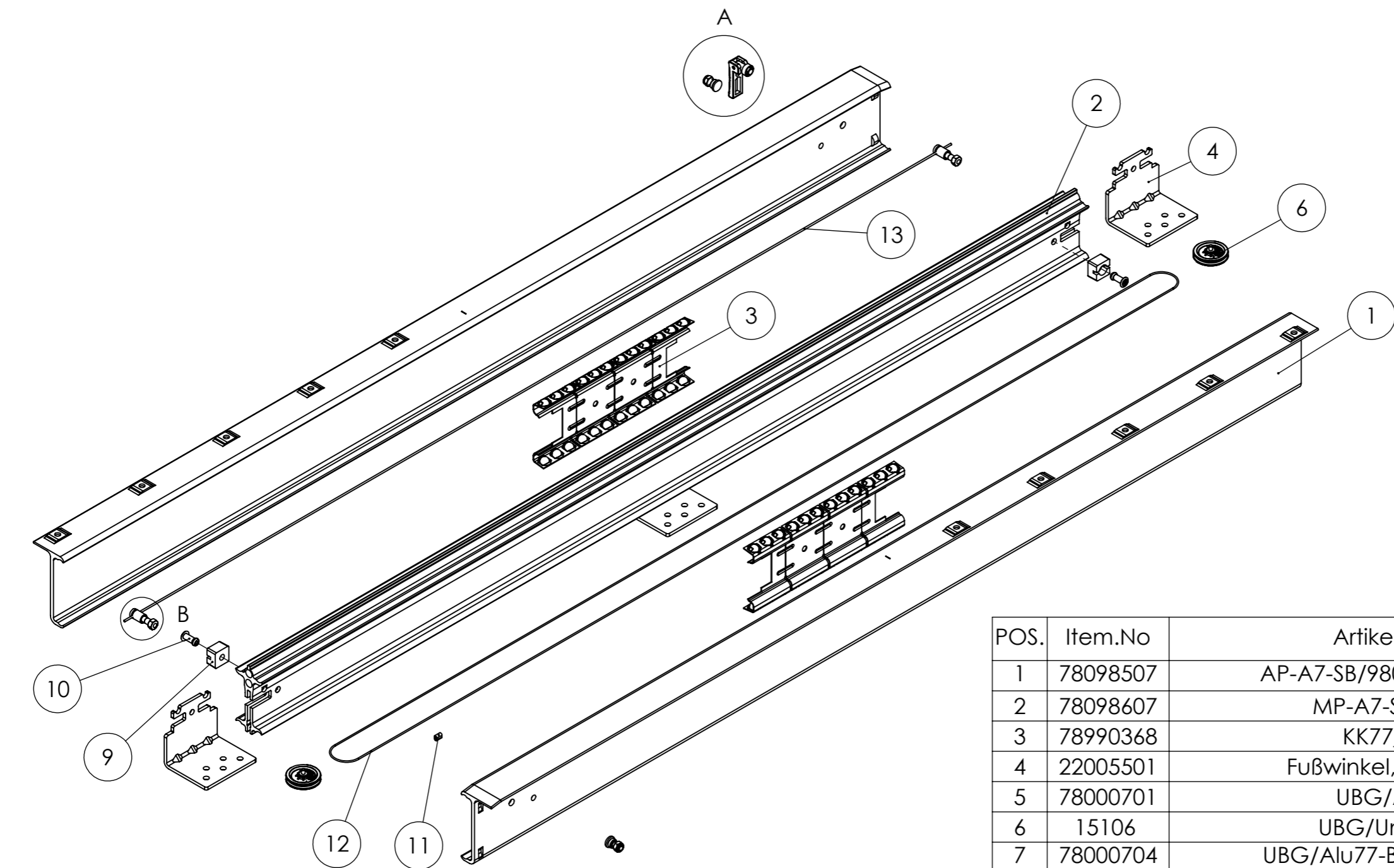
ca. 2543
 OPENING = ca. 1563

OPEN

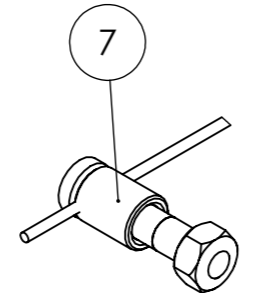


 DIN ISO 128-30	Description: A7-SB/980.A7/980.A7/KK4/BH81				
	Surface: diverse		Material: diverse		Weight: 4.02 kg
 Transforming furniture	Name	Date	Company		
	Signed	Carrera	29.03.12	Second Company:	
	Tested	D.Carrera	23.03.2020		
General tolerance: DIN ISO 2768 - m		Item No: 77098702	Scale 1:5	Page 2/3	A3

All property rights and rights to exploitation of copyright for this drawing data remain ours; they may not be made available to third parties without our consent.



DETAIL A 1 : 1



DETAIL B 1 : 1

POS.	Item.No	Artikelbezeichnung	Menge x2
1	78098507	AP-A7-SB/980.A7/Typ01/5x1,5/AK	2
2	78098607	MP-A7-S/980.A7/A-M-A	1
3	78990368	KK77_4_Al-Al_Roh	2
4	22005501	Fußwinkel, 54x50-STANDARD	3
5	78000701	UBG/Alu77-Bremse	1
6	15106	UBG/Umlenkrolle Ø30	2
7	78000704	UBG/Alu77-Bremseilbefestigung	2
8	78000703	UBG/Alu77-Synchronseilbefestigung	2
9	16053	Würfelstopp, 16x10x16/PA6.6-Plustek	2
10	15183	Blindniet Flachrundkopf, Ø5x18-AL/St.(12,0-14,0)	2
11	12001	Alu-Pressklemme/1,5 mm	1
12	15000	Drahtseil Ø1,25x980	1
13	15105	Bremseil Ø1,5x980	1

<p>DIN ISO 128-30</p>	Description: A7-SB/980.A7/980.A7/KK4/BH81		
	Surface: diverse		Material: diverse
Weight: 4.02 kg			
<p>PÖTTKER Transforming furniture</p>	Name	Date	Company
	Signed	Carrera	29.03.12
	Tested	D.Carrera	23.03.2020
General tolerance: DIN ISO 2768 - m		Item No:	77098702
		Scale	1:4
		Page	3/3
		A3	