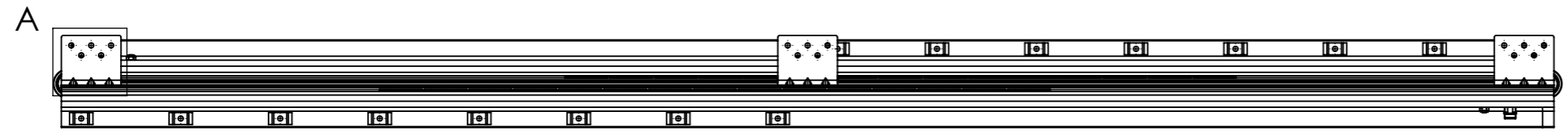
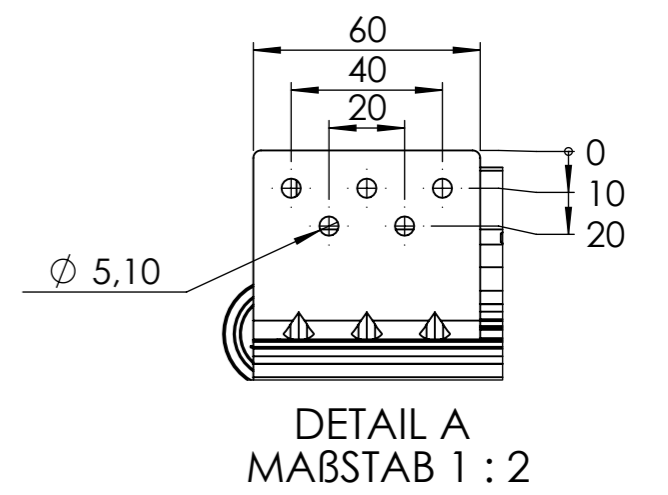
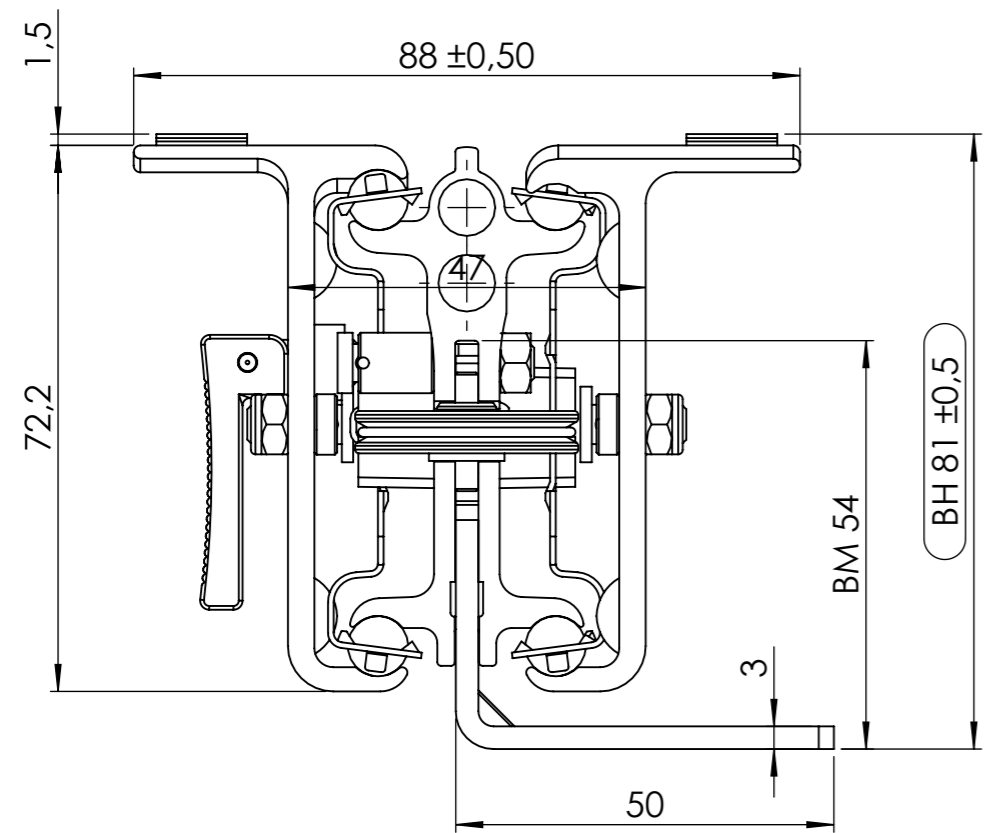
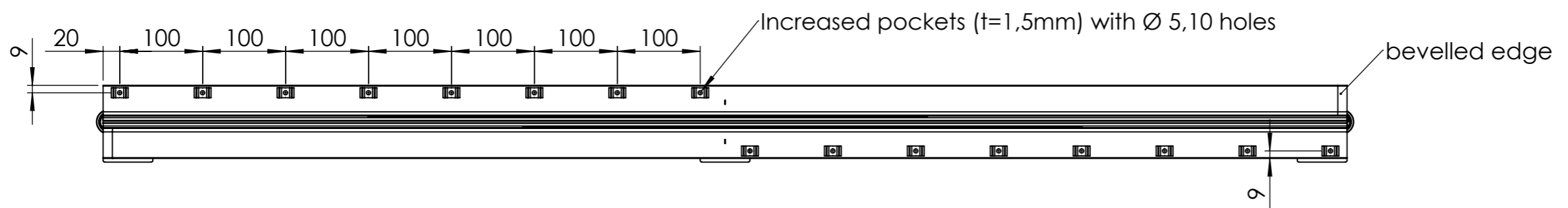
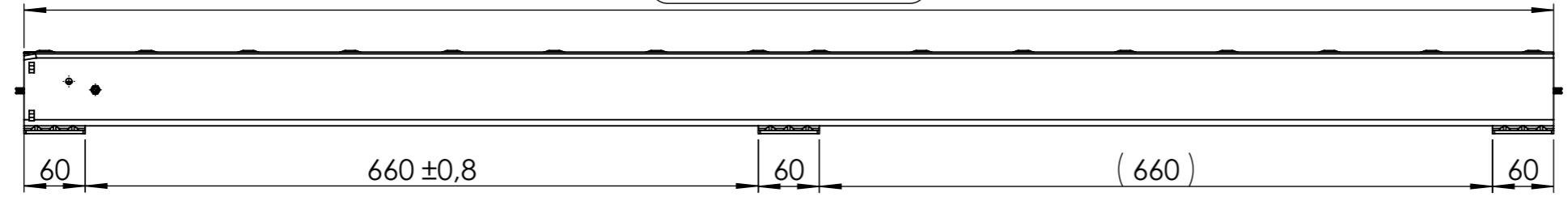


All property rights and rights to exploitation of copyright for this drawing data remain ours; they may not be made available to third parties without our consent.



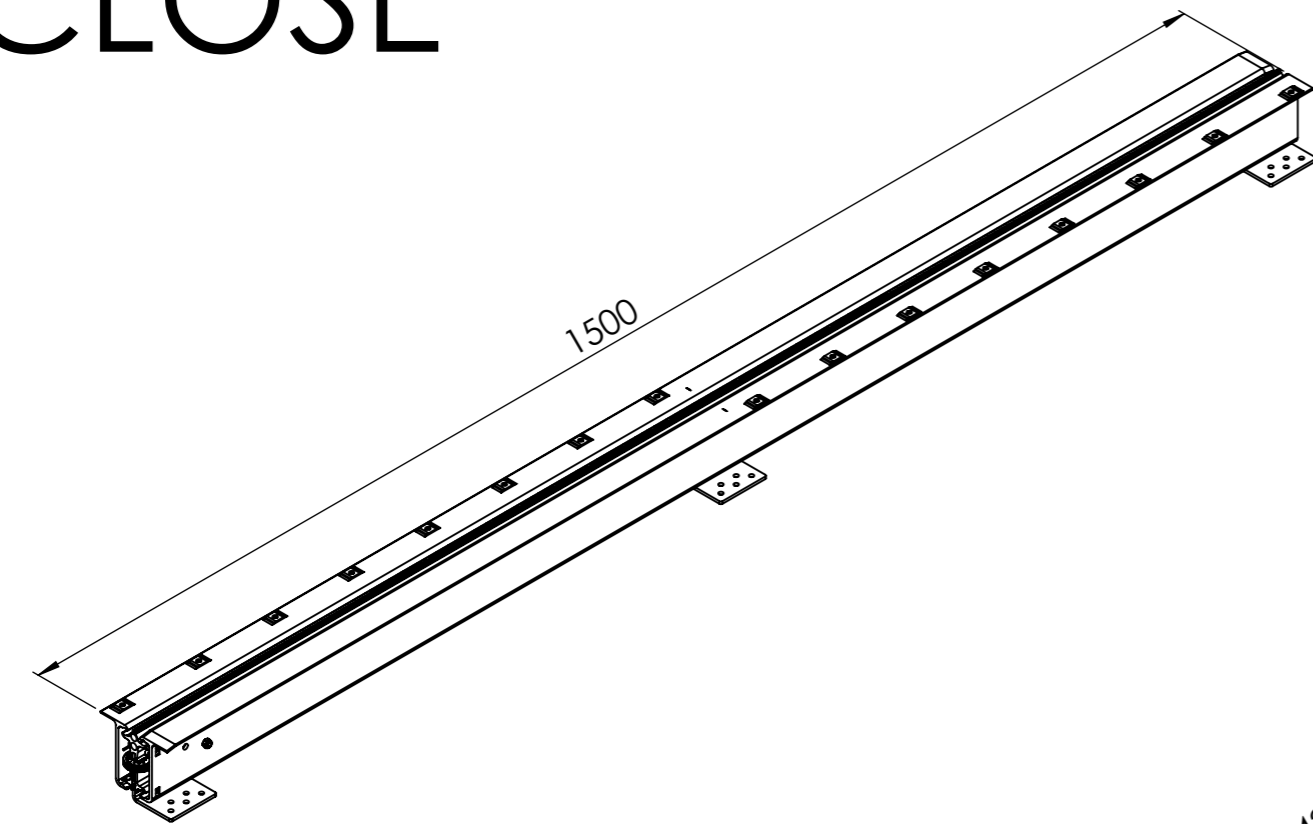
AP+MP=1500.A7



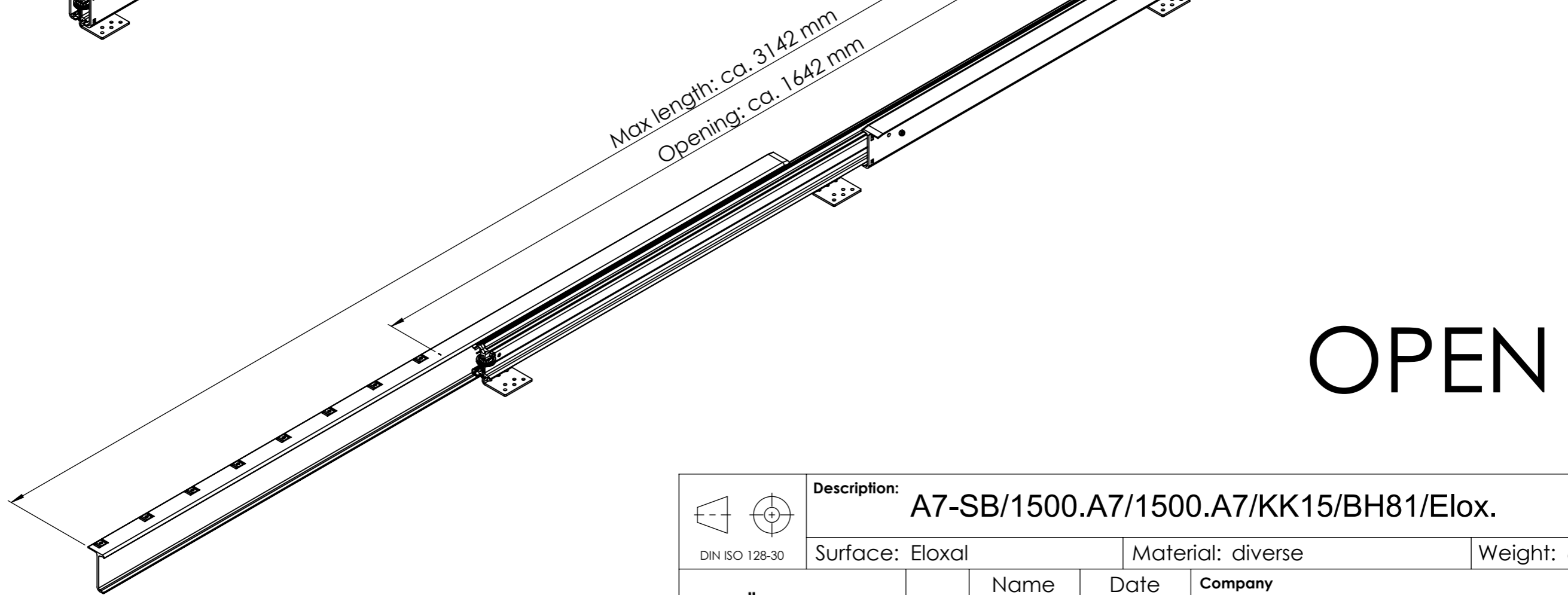
opening : ca.1642 mm

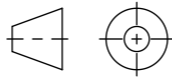
|                                     |   |                          |                   |                 |           |
|-------------------------------------|---|--------------------------|-------------------|-----------------|-----------|
| α                                   | PDM + MASTER  |                          | 04.10.2017        | PVD             |           |
| Index                               | Change  |                          | Date              | Name            |           |
| <br>DIN ISO 128-30                  | Description: <b>A7-SB/1500.A7/1500.A7/KK15/BH81/Elox.</b> |                          |                   | Weight: 6.53 kg |           |
|                                     | Surface: Eloxal   |                          | Material: diverse |                 |           |
| <br>Transforming furniture          | Name  | Date                     | Company           |                 |           |
|                                     | Signed  | Vandyck                  | 04.10.2017        | Second Company: |           |
|                                     | Tested  | D.Carrera                | 19.11.2020        |                 |           |
| General tolerance: DIN ISO 2768 - m |   | Item No: <b>77150715</b> | Scale 1:6         | Page 1/3        | <b>A3</b> |

# CLOSE



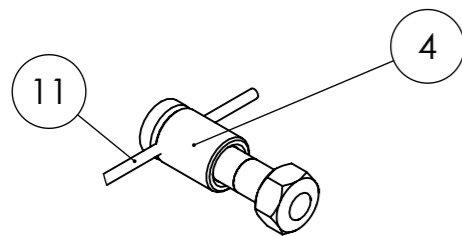
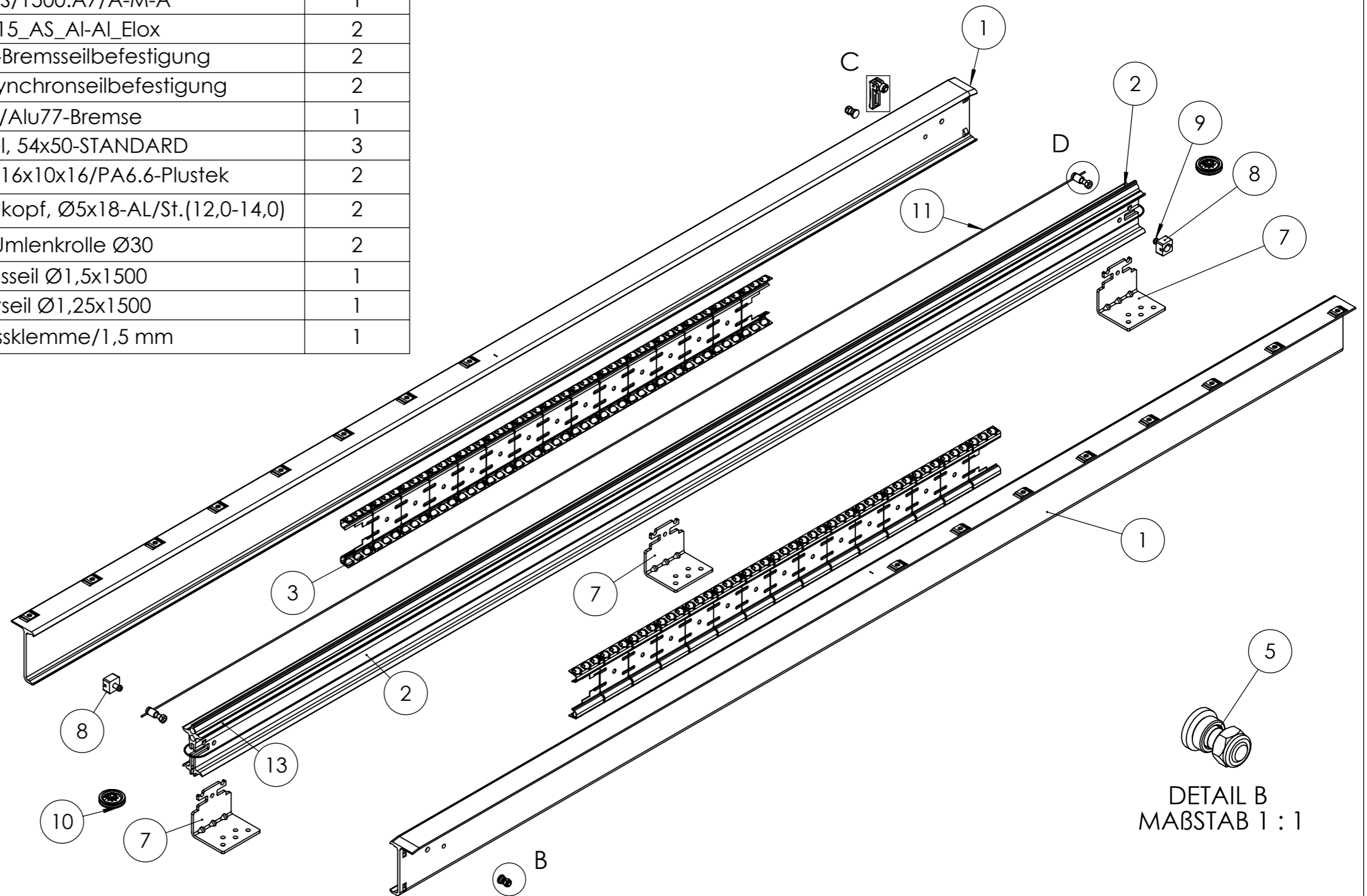
# OPEN



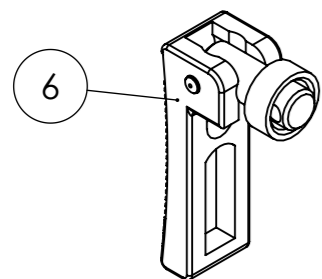
|   |   |                          |                   |                 |                 |
|---|---|--------------------------|-------------------|-----------------|-----------------|
| <br>DIN ISO 128-30 | <b>Description:</b> A7-SB/1500.A7/1500.A7/KK15/BH81/Elox. |                          |                   |                 |                 |
|   | Surface: Eloxal   |                          | Material: diverse |                 | Weight: 6.53 kg |
| <b>PÖTTKER</b><br>Transforming furniture  | <b>Name</b>   | <b>Date</b>              | <b>Company</b>    |                 |                 |
|   | <b>Signed</b>   | Vandyck                  | 04.10.2017        | Second Company: |                 |
|   | <b>Tested</b>   | D.Carrera                | 19.11.2020        |                 |                 |
| General tolerance: DIN ISO 2768 - m   |   | Item No: <b>77150715</b> | Scale 1:7         | Page 2/3        | <b>A3</b>       |

All property rights and rights to exploitation of copyright for this drawing data remain ours; they may not be made available to third parties without our consent.

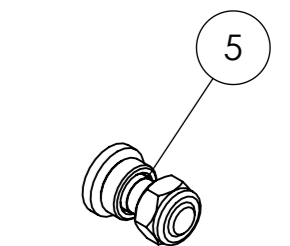
| POS. | Item.No  | Artikelbezeichnung                               | Mengex2 |
|------|----------|--|---------|
| 1    | 78150522 | AP/A7-SB/1500.A7/Typ01/8x1,5/AK/Elox.            | 2       |
| 2    | 78150607 | MP/A7-S/1500.A7/A-M-A                            | 1       |
| 3    | 78990415 | KK77_15_AS_AI-AI_Elox                            | 2       |
| 4    | 78000704 | UBG/Alu77-Bremsseilbefestigung                   | 2       |
| 5    | 78000703 | UBG/Alu77-Synchronseilbefestigung                | 2       |
| 6    | 78000701 | UBG/Alu77-Bremse                                 | 1       |
| 7    | 22005501 | Fußwinkel, 54x50-STANDARD                        | 3       |
| 8    | 16053    | Würfelstopp, 16x10x16/PA6.6-Plustek              | 2       |
| 9    | 15183    | Blindniet Flachrundkopf, Ø5x18-AL/St.(12,0-14,0) | 2       |
| 10   | 15106    | UBG/Umlenkrolle Ø30                              | 2       |
| 11   | 15105    | Bremsseil Ø1,5x1500                              | 1       |
| 12   | 15000    | Drahtseil Ø1,25x1500                             | 1       |
| 13   | 12001    | Alu-Pressklemme/1,5 mm                           | 1       |



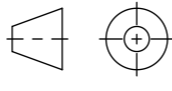

DETAIL D  
MABSTAB 1 : 1



DETAIL C  
MABSTAB 1 : 1



DETAIL B  
MABSTAB 1 : 1

| Index   | Change  |                          | Date              | Name            |           |
|---|---|--------------------------|-------------------|-----------------|-----------|
| <br>DIN ISO 128-30         | Description: <b>A7-SB/1500.A7/1500.A7/KK15/BH81/Elox.</b> |                          |                   |                 |           |
|   | Surface: Eloxal   |                          | Material: diverse | Weight: 6.53 kg |           |
| <br>Transforming furniture | Name  | Date                     | Company           |                 |           |
|   | Signed  | Vandyck                  | 04.10.2017        | Second Company: |           |
| Tested  | D.Carrera   | 19.11.2020               |                   |                 |           |
| General tolerance: DIN ISO 2768 - m   |   | Item No: <b>77150715</b> | Scale 1:5         | Page 3/3        | <b>A3</b> |

All property rights and rights to exploitation of copyright for this drawing data remain ours; they may not be made available to third parties without our consent.