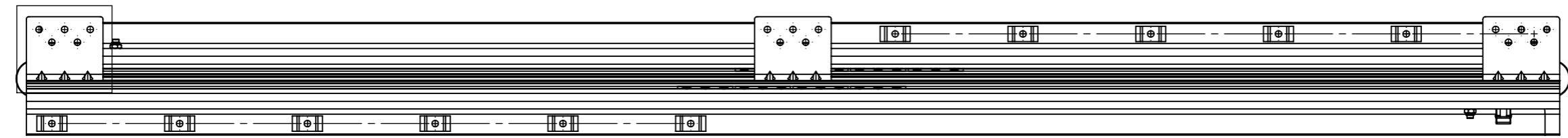
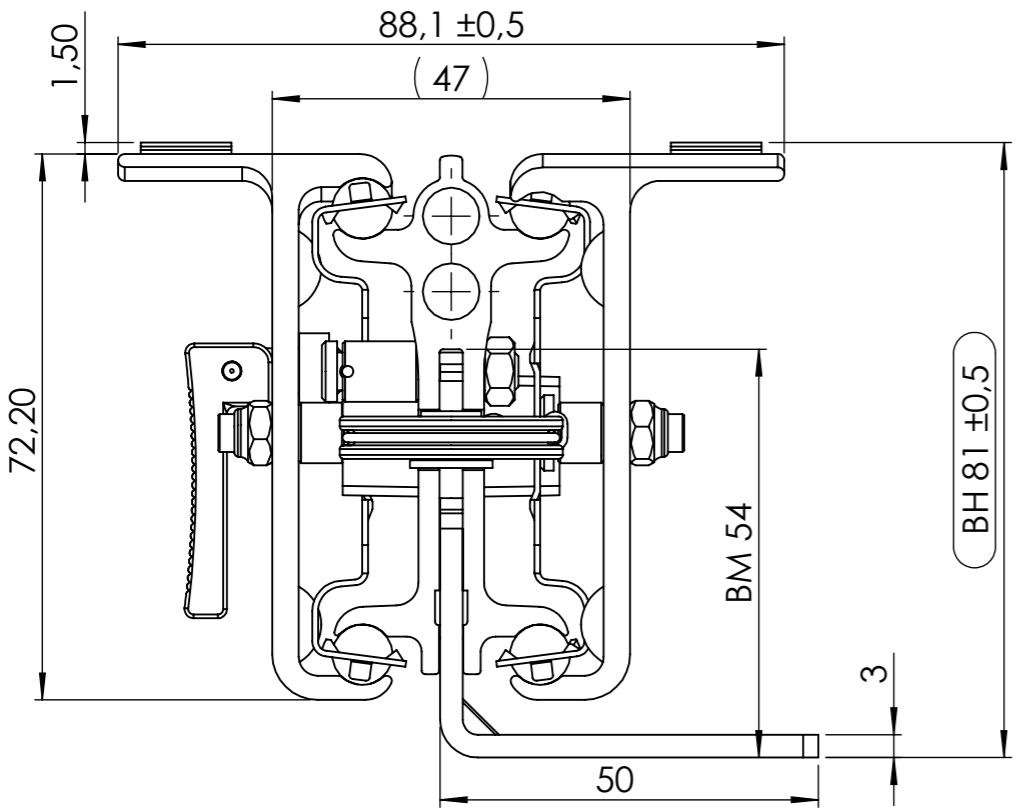
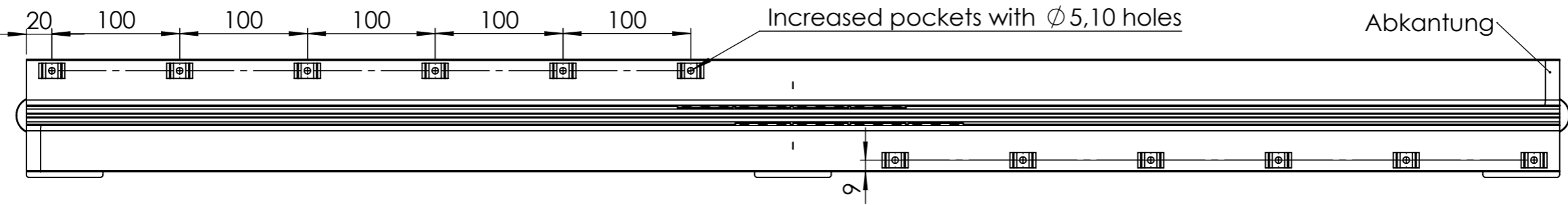
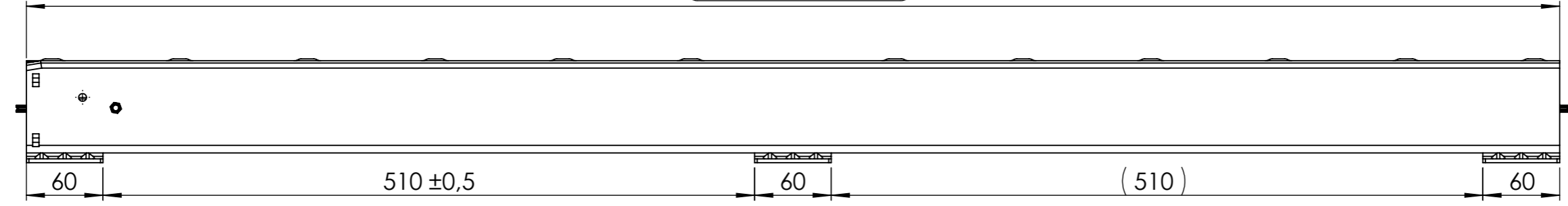


All property rights and rights to exploitation of copyright for this drawing data remain ours; they may not be made available to third parties without our consent.

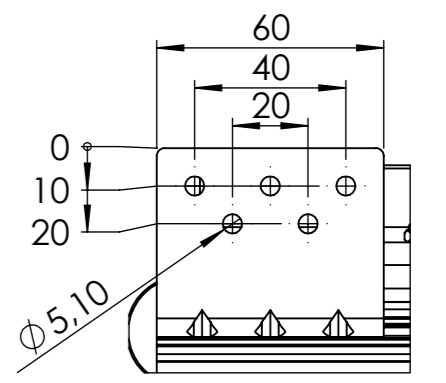
A



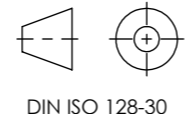

AP+MP=1200.A7



(Gr. Aussparung)
 metal ball-retainer: **4** segments
 opening: ca. **2034** mm

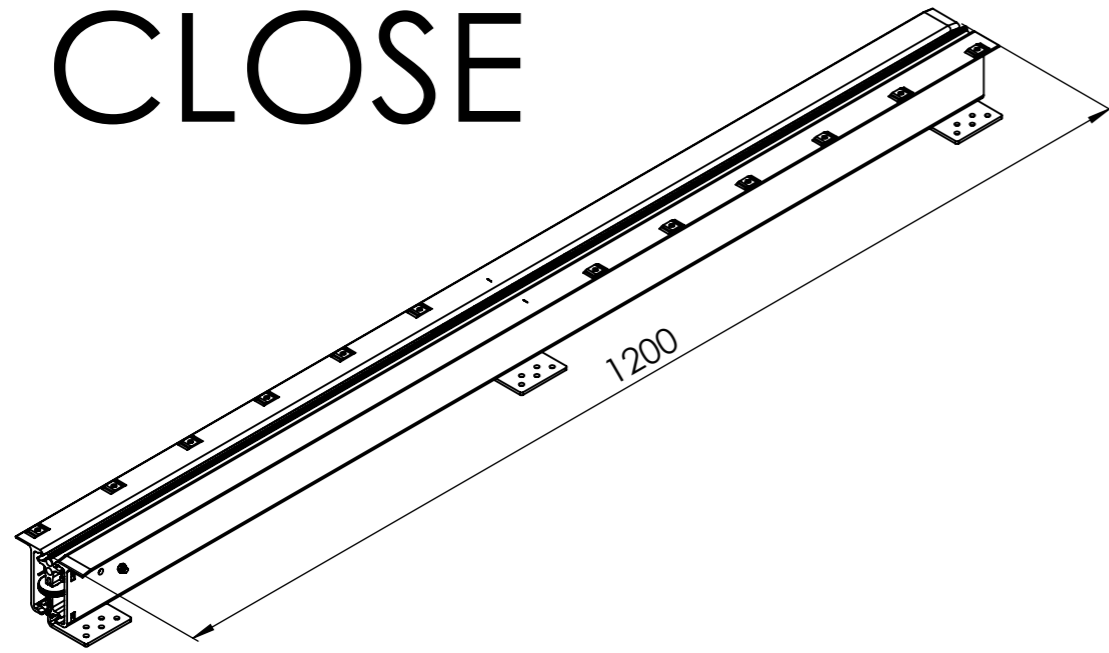


DETAIL A
MABSTAB 1 : 2

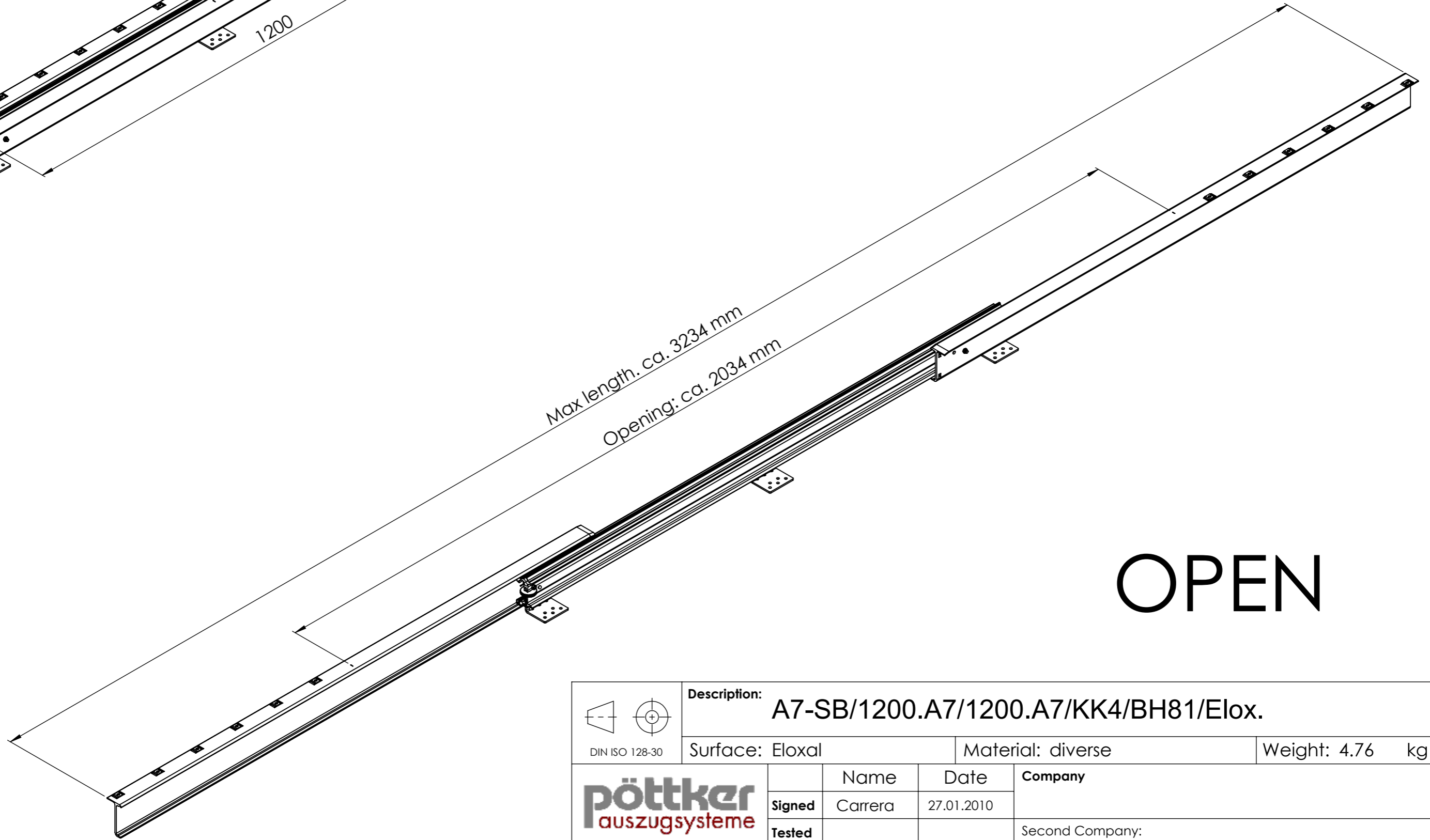
a	BG neu aufgebaut + Zeichnungsformat aktualisiert	27.03.2014	Vandyck
Index	Change	Date	Name
 DIN ISO 128-30	Description: A7-SB/1200.A7/1200.A7/KK4/BH81/Elox.		
	Surface: Eloxal	Material: diverse	Weight: 4.76 kg
	Name	Date	Company
	Signed Carrera	27.01.2010	Second Company:
Tested			
General tolerance: DIN ISO 2768 -1		Item No: 77120804	Scale 1:4
		Page 1/3	A3

All property rights and rights to exploitation of copyright for this drawing data remain ours; they may not be made available to third parties without our consent.

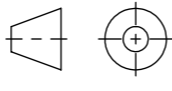

CLOSE



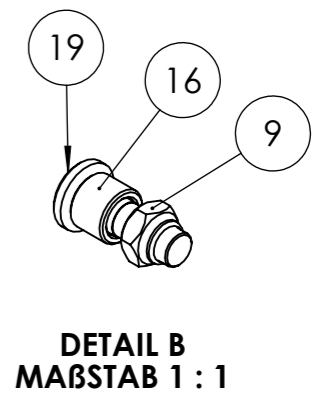
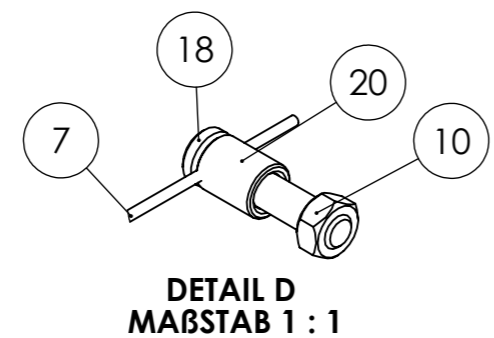
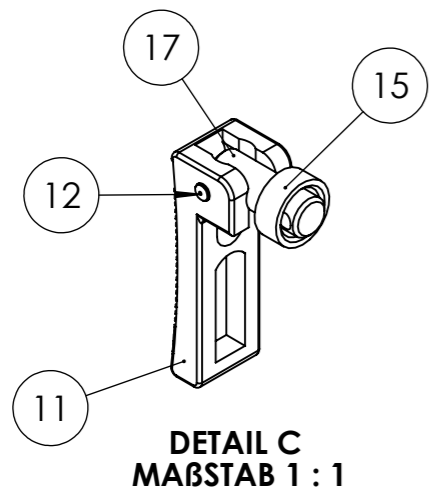
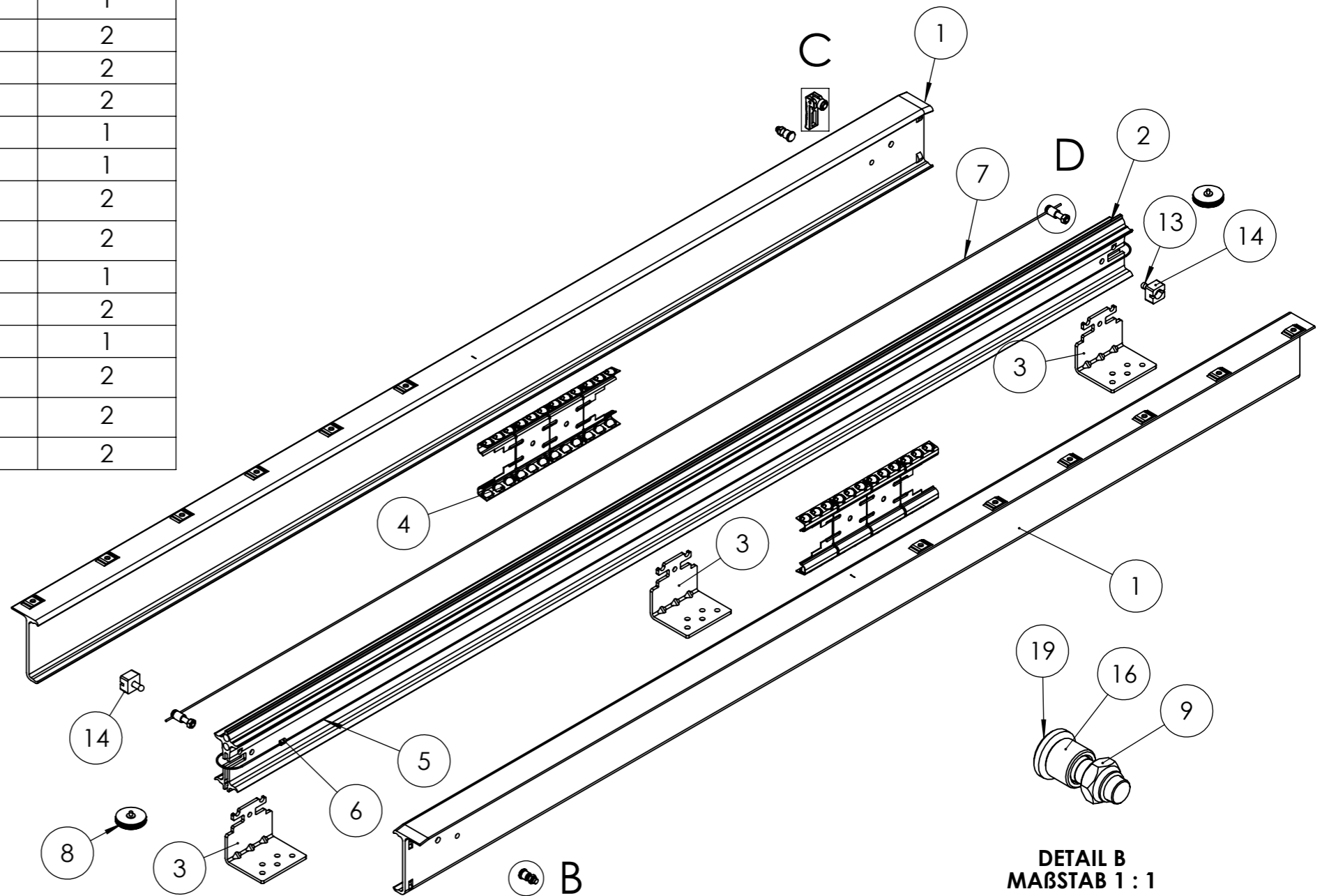
Max length. ca. 3234 mm
Opening: ca. 2034 mm



OPEN

 DIN ISO 128-30	Description: A7-SB/1200.A7/1200.A7/KK4/BH81/Elox.				
	Surface: Eloxal		Material: diverse		Weight: 4.76 kg
	Name	Date	Company		
	Signed	Carrera	27.01.2010	Second Company:	
	Tested				
General tolerance: DIN ISO 2768 -1		Item No: 77120804	Scale 1:7	Page 2/3	A3

POS.	Art.-Nr.	Artikelbezeichnung	Mengex2
1	78120508	AP-A7-SB/1200.A7/Typ01/6x1,5/AK/Elox.	2
2	78120609	MP-A7-S/1200.A7/A-M-A/Elox.	1
3	22005501	Fußwinkel / 54x50	3
4	78990357	KK77_4_AS_AI-AI_Elox	2
5	15000	Drahtseil Ø1,25x1200	1
6	12001	Alu-Pressklemme	1
7	15105	Bremsseil Ø1,5x1200	1
8	15106	Umlenkrolle Kombi mit Bolzen NEU	2
9	15021	M5, Mutter DIN 985, selbstsichernd	2
10	15334	M5, Sechskantmutter DIN 934	2
11	15004	Kunststoffbremshebel	1
12	15005	Kerbstift für Bremshebel Ø2,5x12	1
13	15183	Blindniet Ø5x18 Form A Flachkopf	2
14	16053	Würfelstopp-16x10x16_PA6.6-Plustek	2
15	14015	E23, Distanzscheibe - Ø10xØ7,3x4	1
16	14020	E42, Distanzhülse - Ø8xØ5,5x6	2
17	14056	E56_2, Bolzen Bremshebel - Ø6x16,6	1
18	14027	E58, Spannschraube -M5xØ8x26	2
19	14068	E65_2, Spannschraube - M5xØ10x19	2
20	14034	E70_1, Distanzhülse Ø8xØ5,2x10	2



<p>DIN ISO 128-30</p>	Description: A7-SB/1200.A7/1200.A7/KK4/BH81/Elox.		
	Surface: Eloxal	Material: diverse	Weight: 4.76 kg
	Name	Date	Company
	Signed	Carrera	27.01.2010
Tested			Second Company:
General tolerance: DIN ISO 2768 -1	Item No: 77120804	Scale 1:5	Page 3/3 A3

All property rights and rights to exploitation of copyright for this drawing data remain ours; they may not be made available to third parties without our consent.