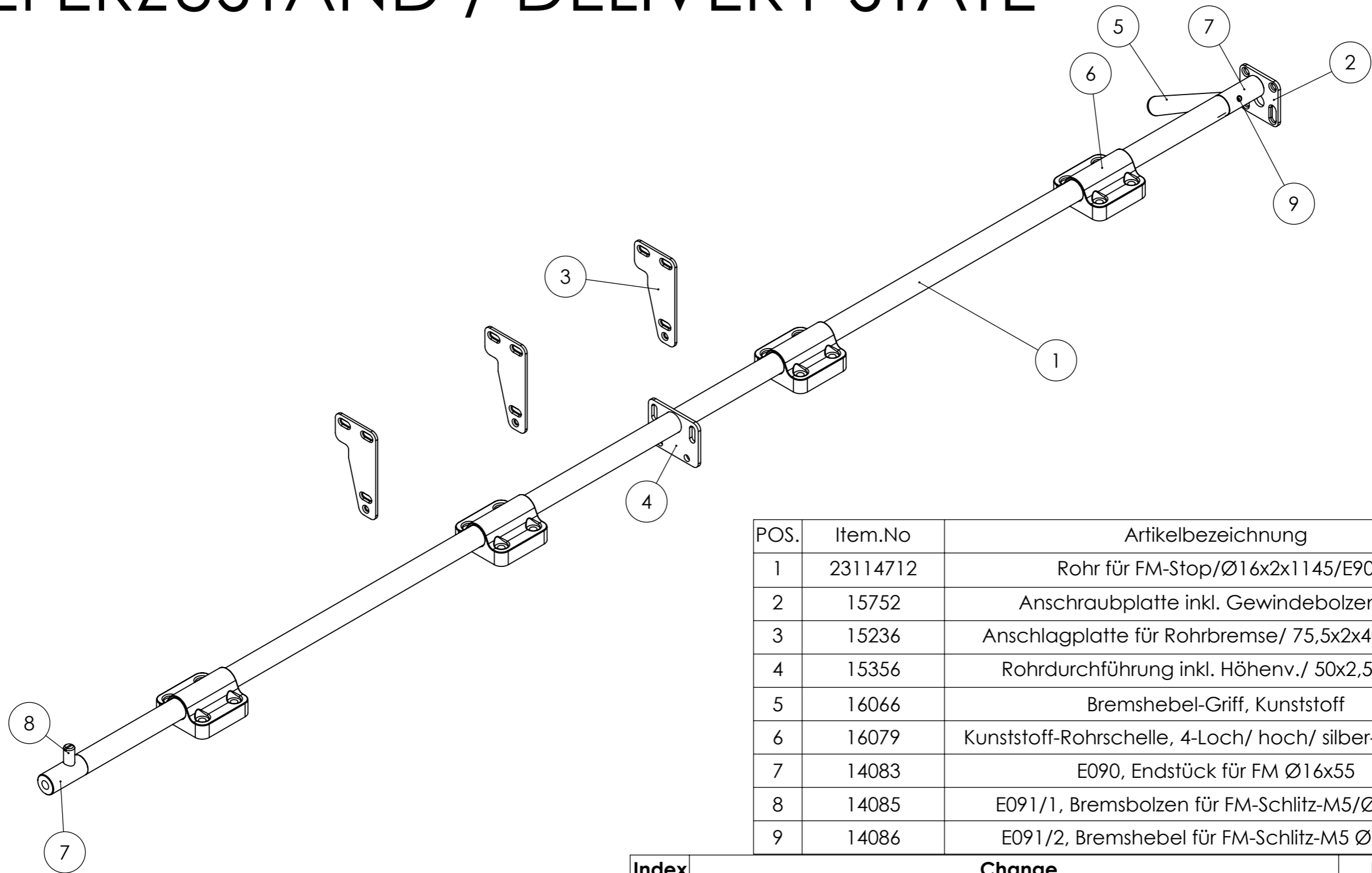
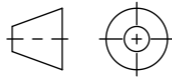



LIEFERZUSTAND / DELIVERY STATE

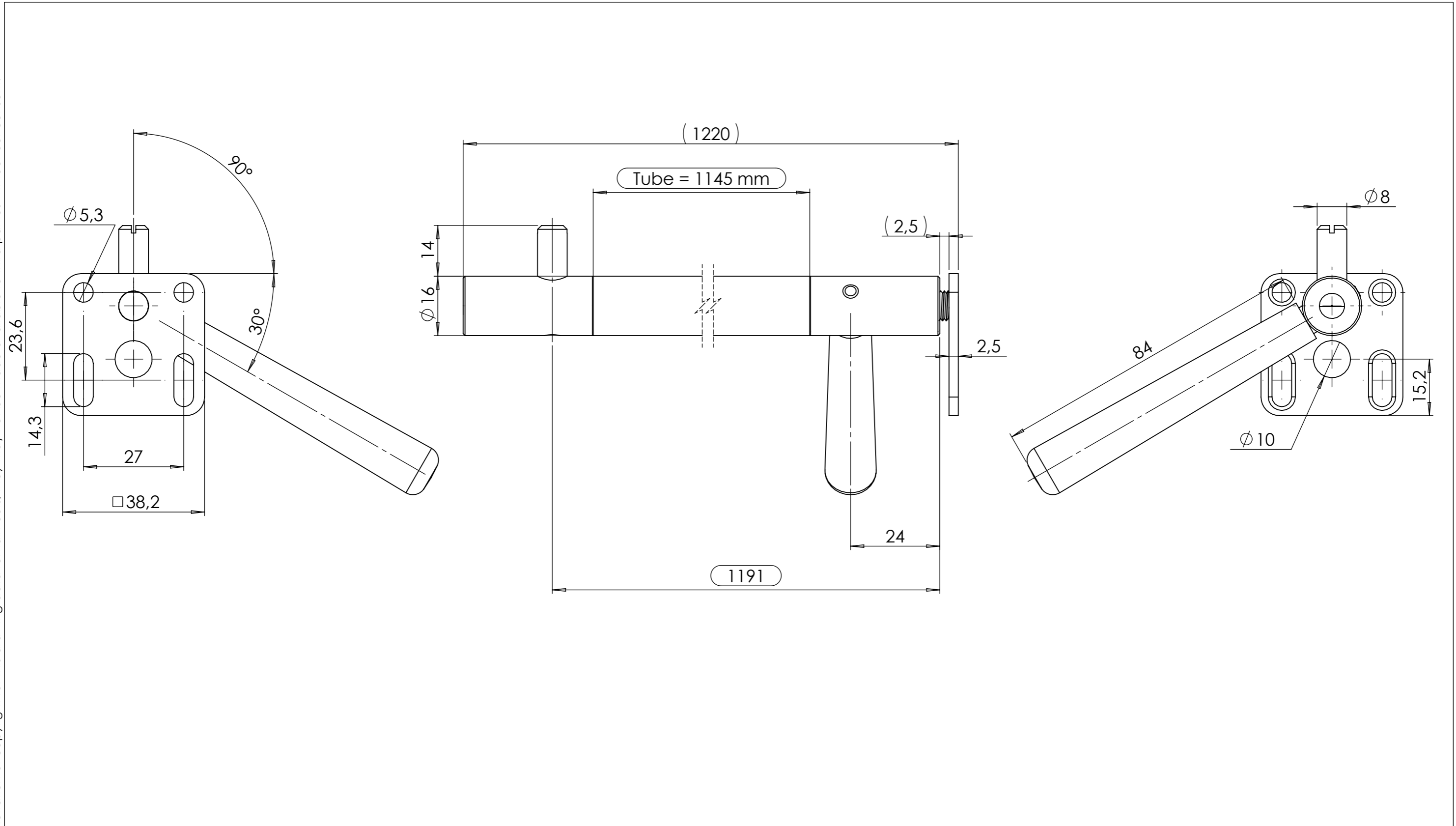
All property rights and rights to exploitation of copyright for this drawing data remain ours; they may not be made available to third parties without our consent.

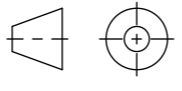


POS.	Item.No	Artikelbezeichnung	Menge
1	23114712	Rohr für FM-Stop/Ø16x2x1145/E90	1
2	15752	Anschraubplatte inkl. Gewindebolzen M8	1
3	15236	Anschlagplatte für Rohrbremse/ 75,5x2x40,5-LL-vz	3
4	15356	Rohrdurchführung inkl. Höhenv./ 50x2,5x38-vz	1
5	16066	Bremshebel-Griff, Kunststoff	1
6	16079	Kunststoff-Rohrschelle, 4-Loch/ hoch/ silber-PA6GF 30	4
7	14083	E090, Endstück für FM Ø16x55	2
8	14085	E091/1, Bremsbolzen für FM-Schlitz-M5/Ø8x29,3	1
9	14086	E091/2, Bremshebel für FM-Schlitz-M5 Ø8x96,5	1

Index	Change		Date	Name	
 DIN ISO 128-30	Description: FM-Stop/Ø16x2x1220/E91/4R+3A+1D				
	Surface: galvanized		Material: diverse	Weight: 1.19 kg	
 Transforming furniture	Name	Date	Company		
	Signed	Vandyck	20.12.2017	Second Company:	
	Tested	P. Vandyck	20.12.2017		
General tolerance: DIN ISO 2768 -1		Item No: 23122104	Scale 1:3	Page 1/2	A3

All property rights and rights to exploitation of copyright for this drawing data remain ours; they may not be made available to third parties without our consent.



 DIN ISO 128-30	Description: FM-Stop/Ø16x2x1220/E91/4R+3A+1D					
	Surface: galvanized		Material: diverse		Weight: 1.19 kg	
PÖTTKER Transforming furniture	Name	Date	Company			
	Signed	Vandyck	20.12.2017	Second Company:		
	Tested	P. Vandyck	20.12.2017			
General tolerance: DIN ISO 2768 -1		Item No:	23122104	Scale 1:1	Page 2/2	A3