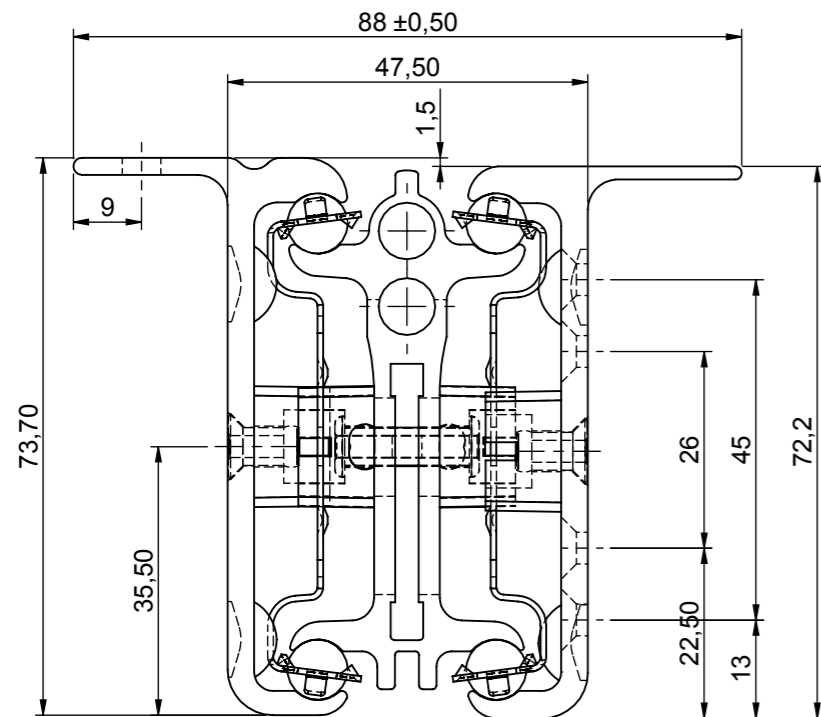
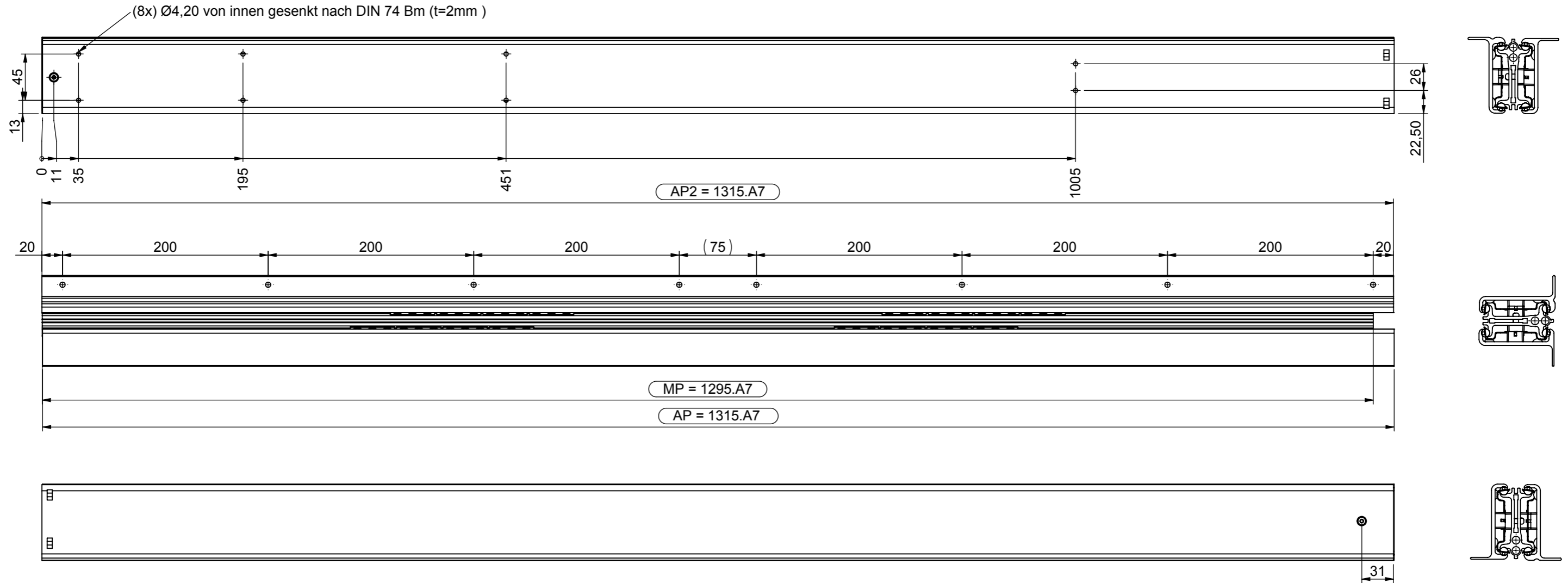
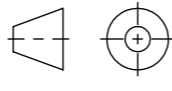



All property rights and rights to exploitation of copyright for this drawing data remain ours; they may not be made available to third parties without our consent.



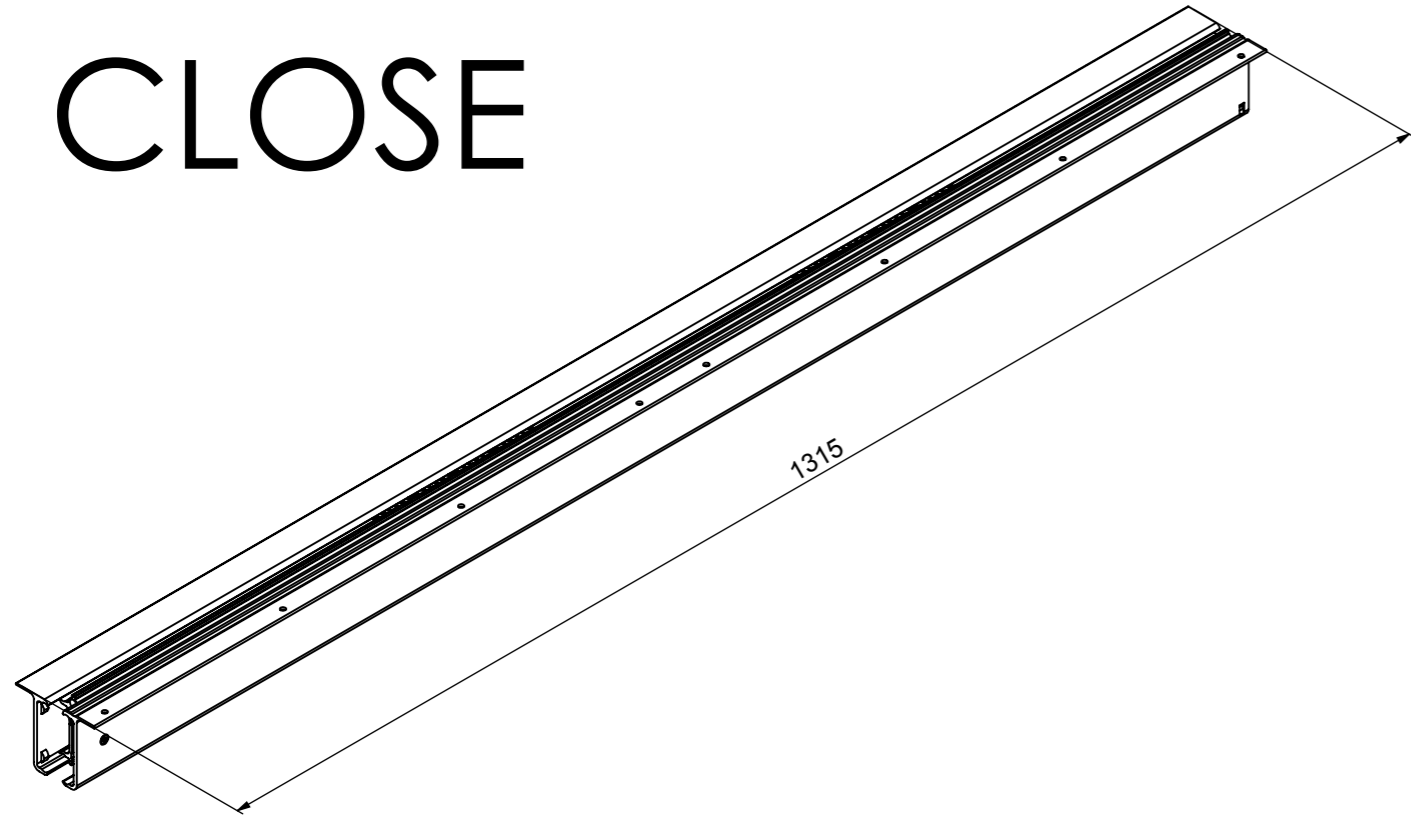
metal ball-retainer: **4-4** segments
 opening: ca. **1152** mm

!! Attention !!
 Designed right mirror-imaged left

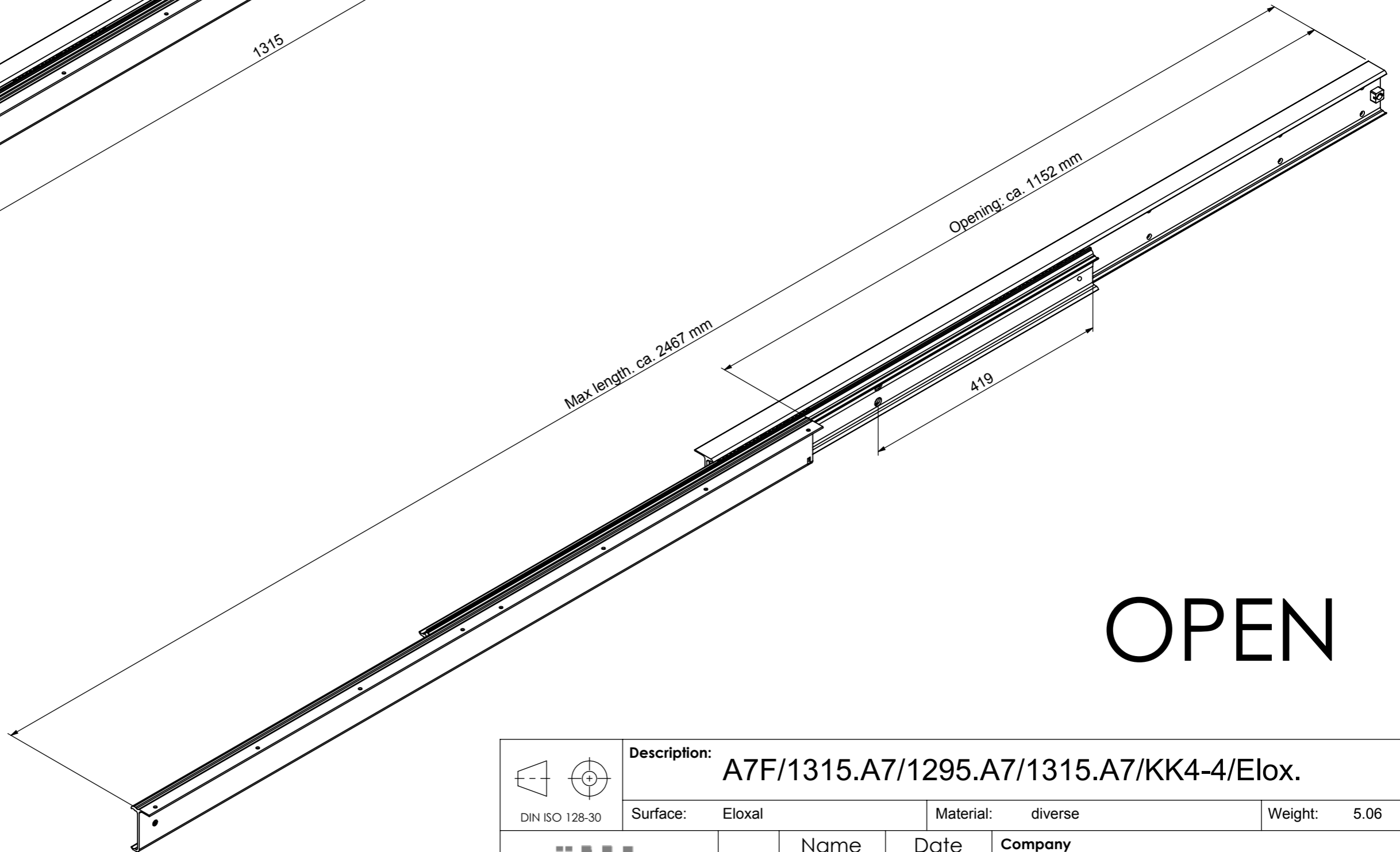
Index	Change		Date	Name
 DIN ISO 128-30	Description: A7F/1315.A7/1295.A7/1315.A7/KK4-4/Elox.			
	Surface: Eloxal		Material: diverse	Weight: 5.06 kg
	Signed	Name: Alawieh	Date: 31.05.2012	Company: Second Company:
	Tested			
General tolerance: DIN ISO 2768 -1		Item No: 77131801	Scale: 1:4	Page: 1/6

All property rights and rights to exploitation of copyright for this drawing data remain ours; they may not be made available to third parties without our consent.

CLOSE

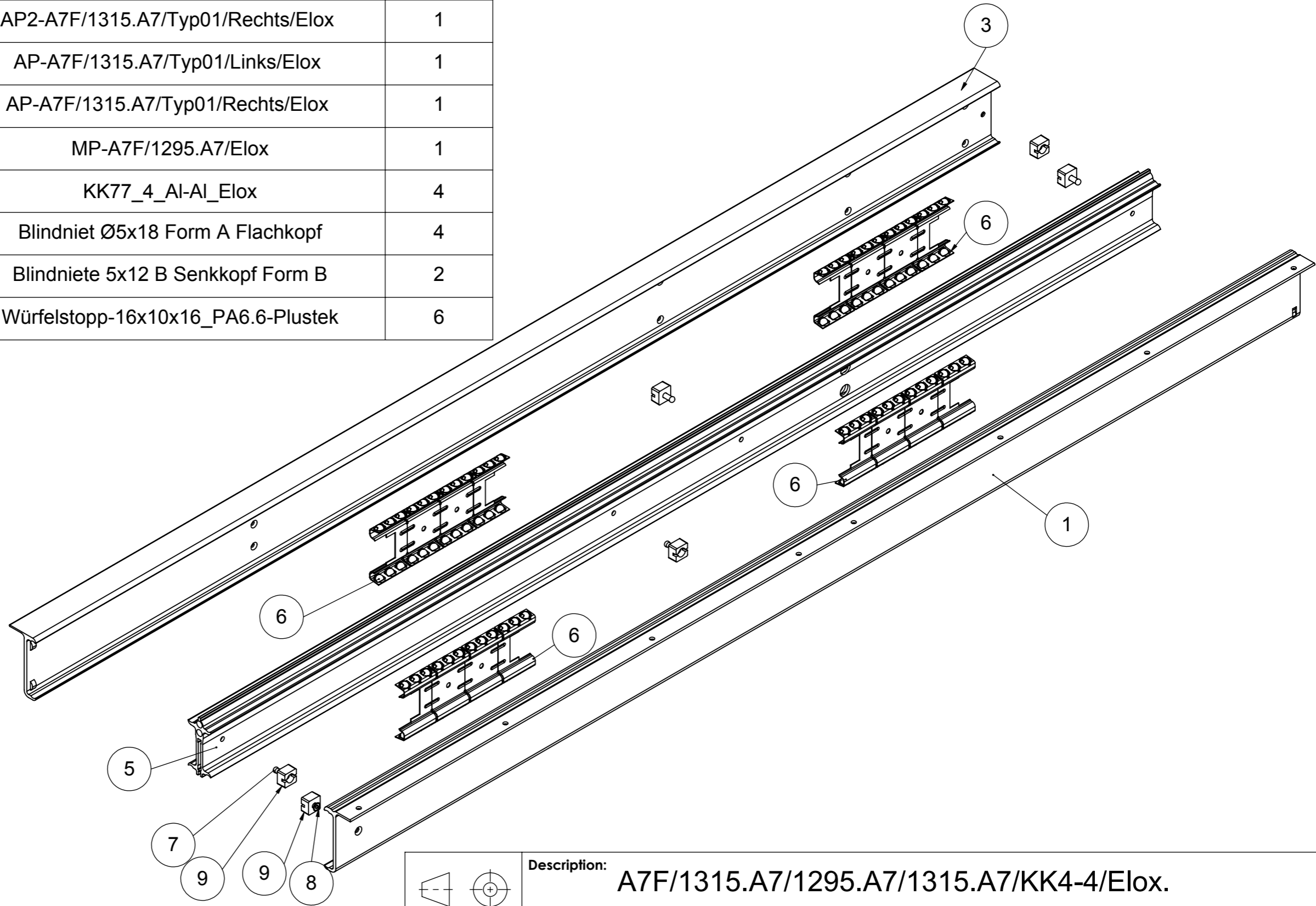


OPEN

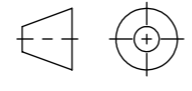



 DIN ISO 128-30	Description: A7F/1315.A7/1295.A7/1315.A7/KK4-4/Elox.				
	Surface: Eloxal	Material: diverse	Weight: 5.06 kg		
	Name	Date	Company		
	Signed	Alawieh	31.05.2012	Second Company:	
	Tested				
General tolerance: DIN ISO 2768 -1		Item No: 77131801	Scale 1:6	Page 2/ 6	A3

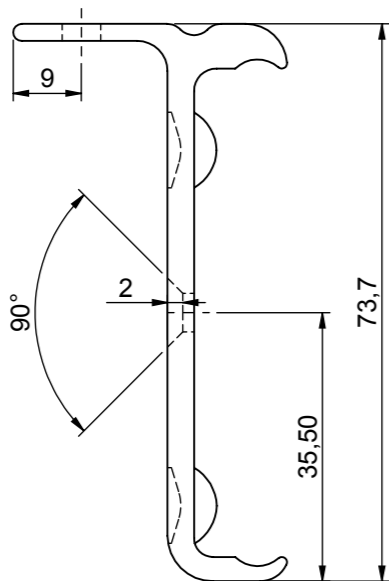
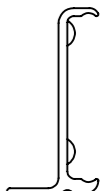
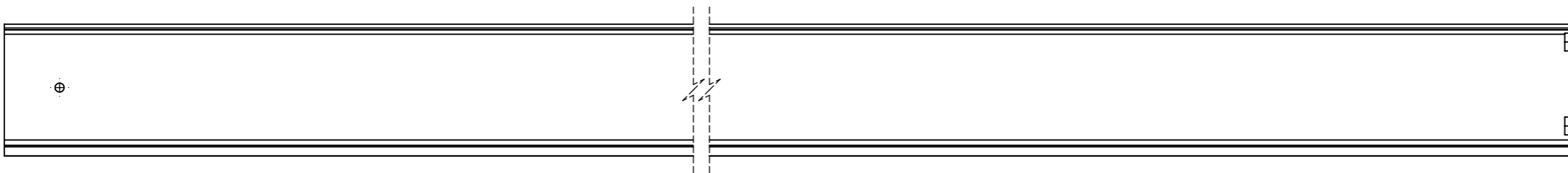
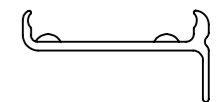
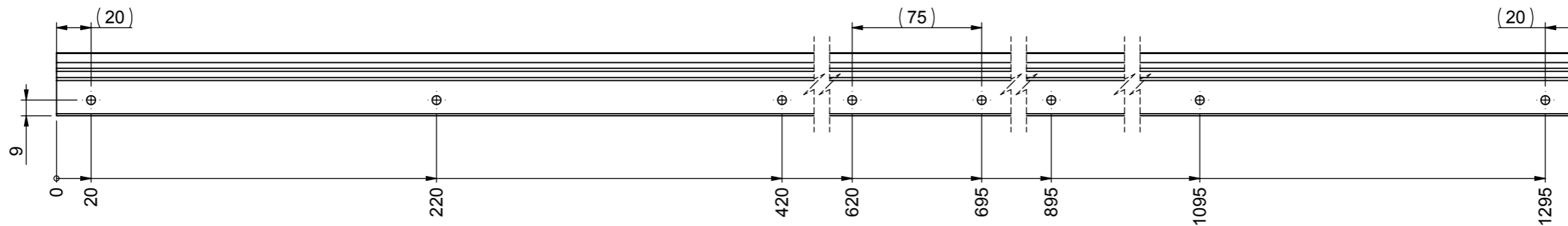
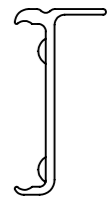
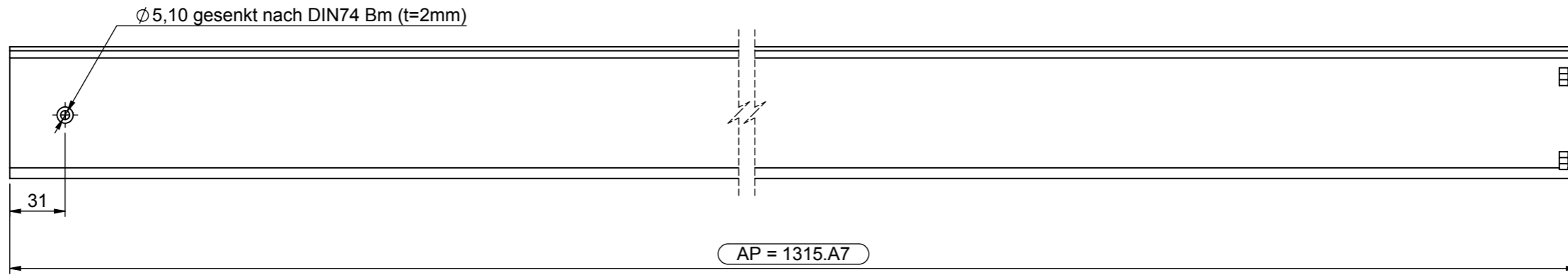
POS.	Item.No	Artikelbezeichnung	Mengex2
1	78131502	AP2-A7F/1315.A7/Typ01/Links/Elox	1
2	78131503	AP2-A7F/1315.A7/Typ01/Rechts/Elox	1
3	78131504	AP-A7F/1315.A7/Typ01/Links/Elox	1
4	78131505	AP-A7F/1315.A7/Typ01/Rechts/Elox	1
5	78129604	MP-A7F/1295.A7/Elox	1
6	78990335	KK77_4_AI-AI_Elox	4
7	15183	Blindniet Ø5x18 Form A Flachkopf	4
8	15501	Blindniete 5x12 B Senkkopf Form B	2
9	16053	Würfelstopp-16x10x16_PA6.6-Plustek	6



All property rights and rights to exploitation of copyright for this drawing data remain ours; they may not be made available to third parties without our consent.

 DIN ISO 128-30	Description: A7F/1315.A7/1295.A7/1315.A7/KK4-4/Elox.							
	Surface:	Eloxal	Material:	diverse	Weight:	5.06	kg	
	Name	Date	Company					
	Signed	Alawieh	31.05.2012					
	Tested			Second Company:				
General tolerance: DIN ISO 2768 -1		Item No:	77131801	Scale	1:4	Page	3/ 6	A3

All property rights and rights to exploitation of copyright for this drawing data remain ours; they may not be made available to third parties without our consent.

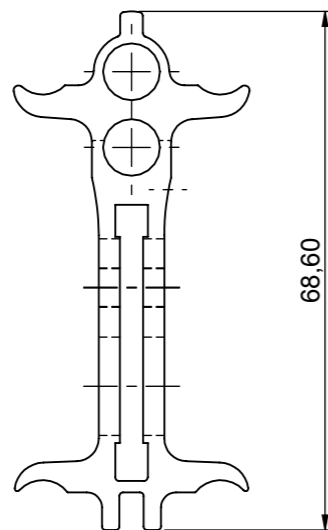
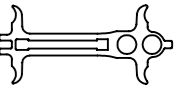
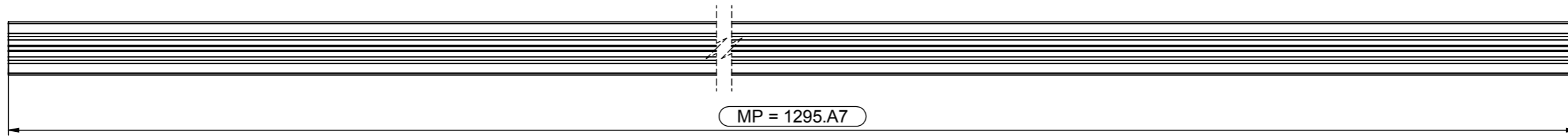
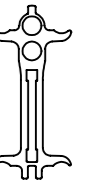
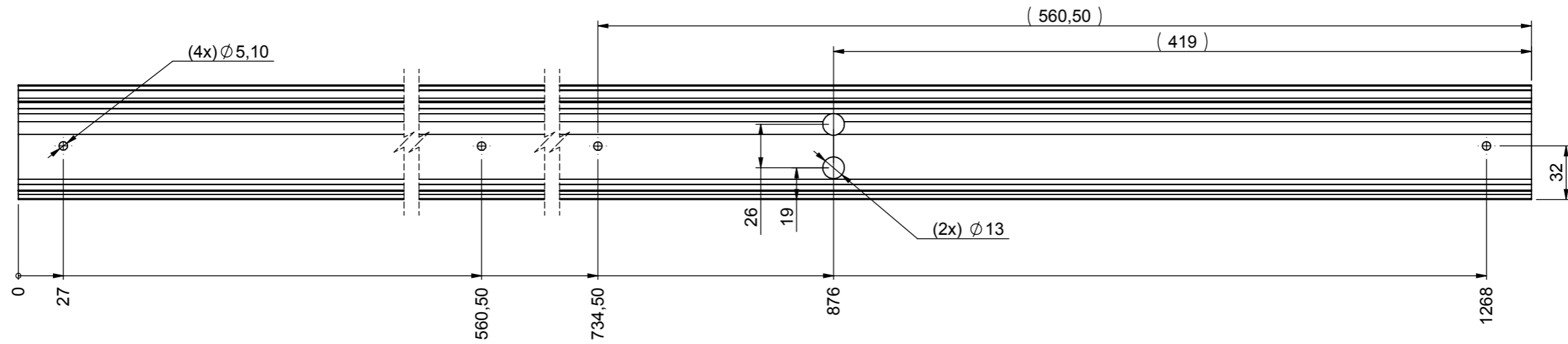


Bohrungs- und Profilschnittkanten
Gratfrei nach DIN ISO 13715 (- 0,1)

!! Attention !!
Designed right mirror-imaged left

	Description: AP2-A7F/1315.A7/Typ01/Links/Elox			
	Surface: Eloxal	Material: 6060-T6	Weight: 1.38	kg
	Name	Date	Company	
	Signed: Alawieh	31.05.2012	Second Company:	
General tolerance: DIN ISO 2768 -1	Item No: 78131502	Scale: 1:3	Page: 4/ 6	A3

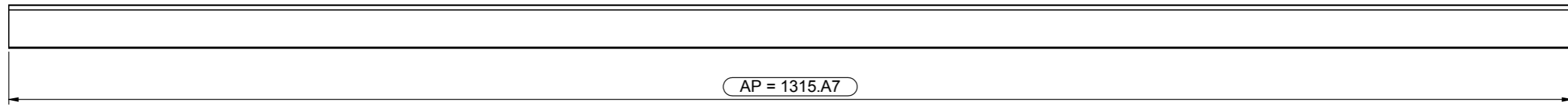
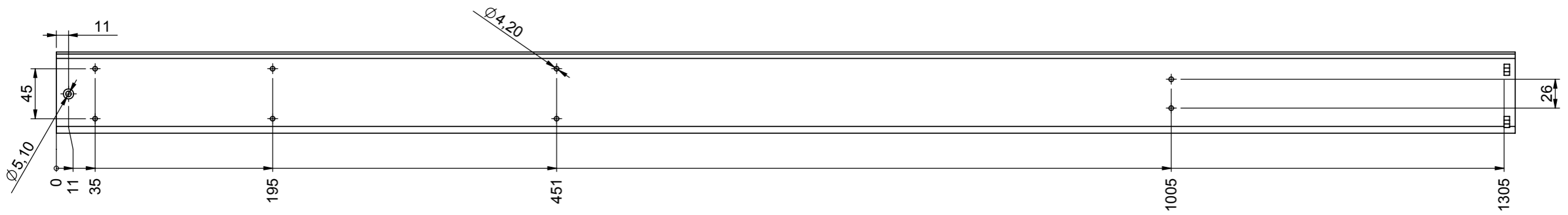
All property rights and rights to exploitation of copyright for this drawing data remain ours; they may not be made available to third parties without our consent.



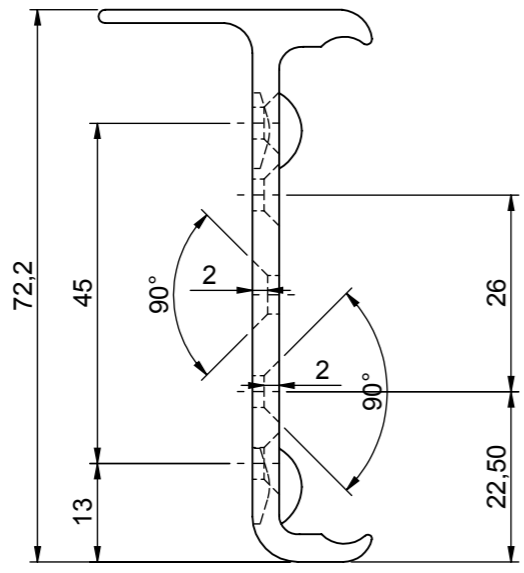
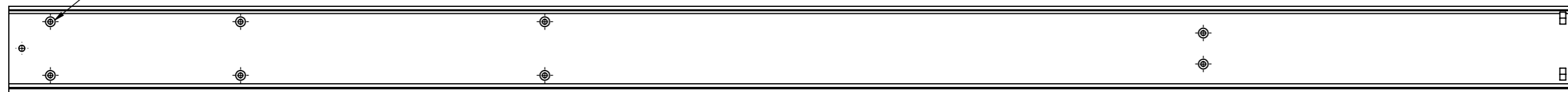
Bohrungs- und Profilschnittkanten
Gratfrei nach DIN ISO 13715 (- 0,1)

 DIN ISO 128-30	Description: MP-A7F/1295.A7/Elox		
	Surface: Eloxal	Material: 6060-T6	Weight: 1.82 kg
	Name	Date	Company
	Signed: Alawieh	31.05.2012	Second Company:
General tolerance: DIN ISO 2768 -1	Item No: 78129604	Scale: 1:5	Page: 5 / 6

All property rights and rights to exploitation of copyright for this drawing data remain ours; they may not be made available to third parties without our consent.



(8x) 4,20 von innen gesenkt nach DIN 74 Bm (t=2mm)



Bohrungs- und Profilschnittkanten
Gratfrei nach DIN ISO 13715 (-0,1)

!! Attention !!
Designed right mirror-imaged left

<p>DIN ISO 128-30</p>	Description: AP-A7F/1315.A7/Typ01/Links/Elox			
	Surface: Eloxal	Material: 6060-T6	Weight: 1.34	kg
	Name	Date	Company	
	Signed: Alawieh	31.05.2012	Second Company:	
General tolerance: DIN ISO 2768 -1	Item No:	78131504	Scale: 1:5	Page: 6 / 6
			A3	