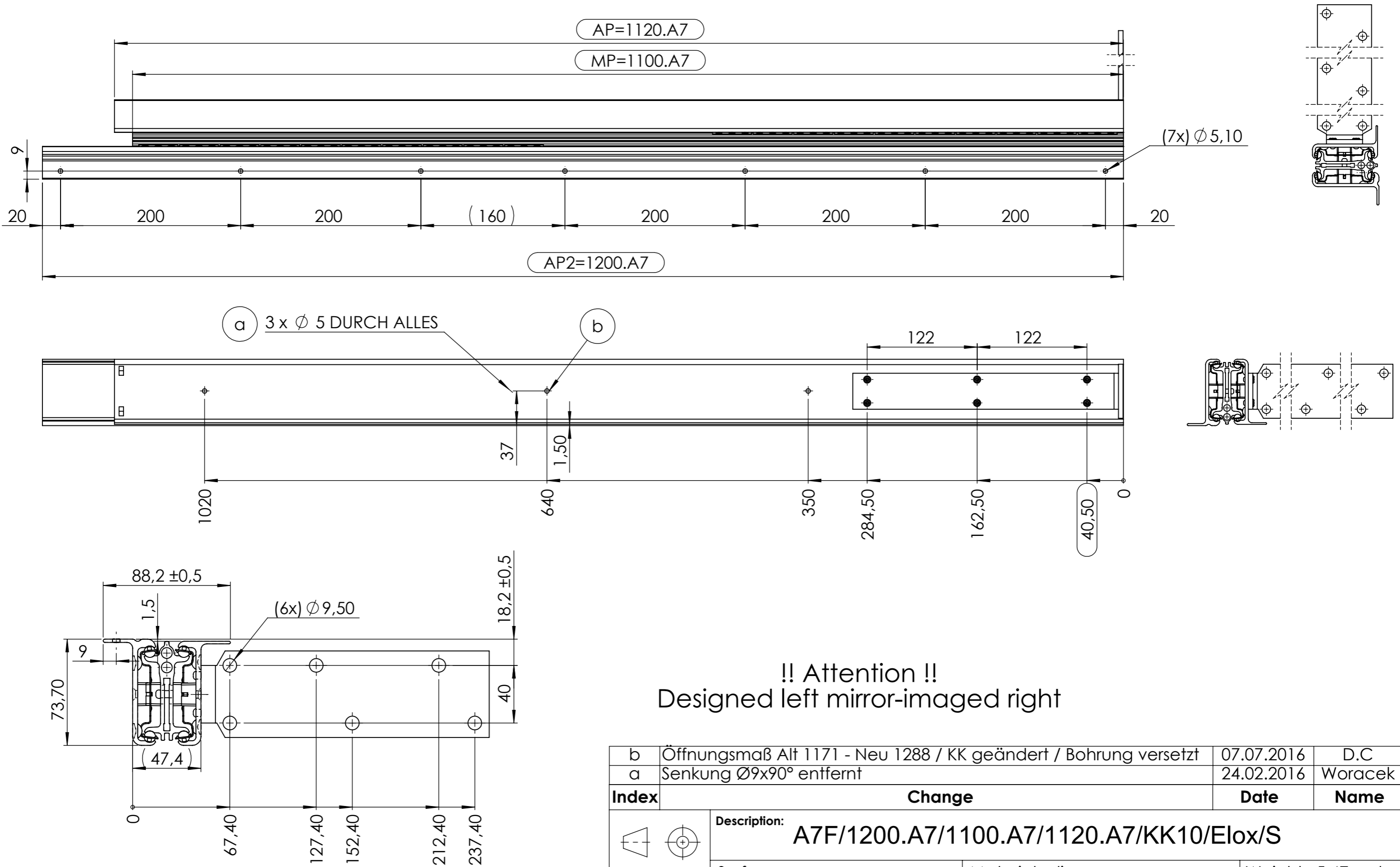


All property rights and rights to exploitation of copyright for this drawing data remain ours; they may not be made available to third parties without our consent.



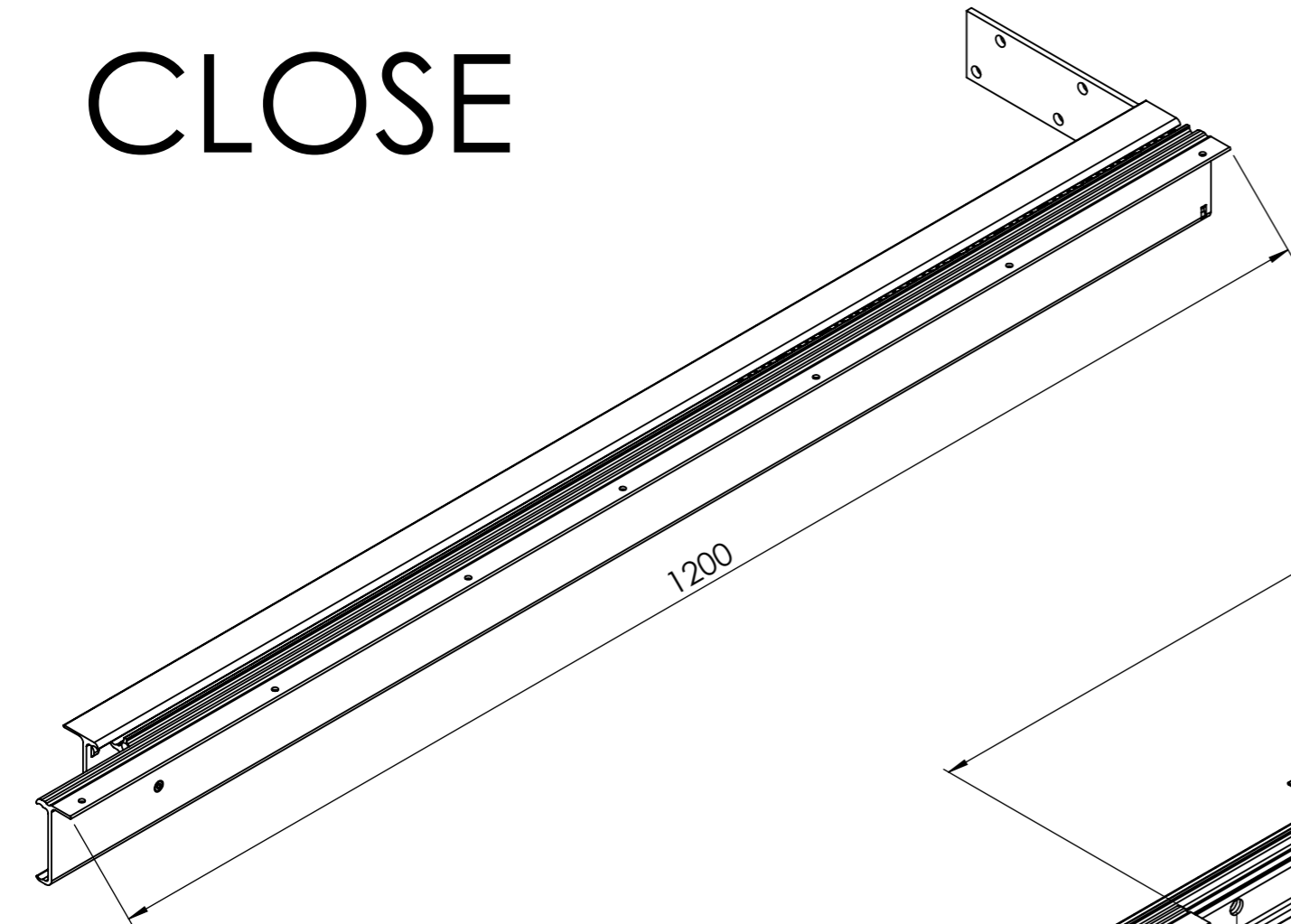
**!! Attention !!**  
Designed left mirror-imaged right

b	Öffnungsmaß Alt 1171 - Neu 1288 / KK geändert / Bohrung versetzt	07.07.2016	D.C
a	Senkung Ø9x90° entfernt	24.02.2016	Woracek
Index	Change	Date	Name
Description: <b>A7F/1200.A7/1100.A7/1120.A7/KK10/Elox/S</b>			
Surface:		Material: diverse	Weight: 5.47 kg
PÖTTKER Transforming furniture	Name	Date	Company
	Signed	Woracek	22.02.2016
	Tested		
General tolerance: DIN ISO 2768 - m		Item No: <b>77120829</b>	Scale 1:4 Page 1/6 <b>A3</b>

way of travel: ca. **1288 mm**

All property rights and rights to exploitation of copyright for this drawing data remain ours; they may not be made available to third parties without our consent.

# CLOSE



1200

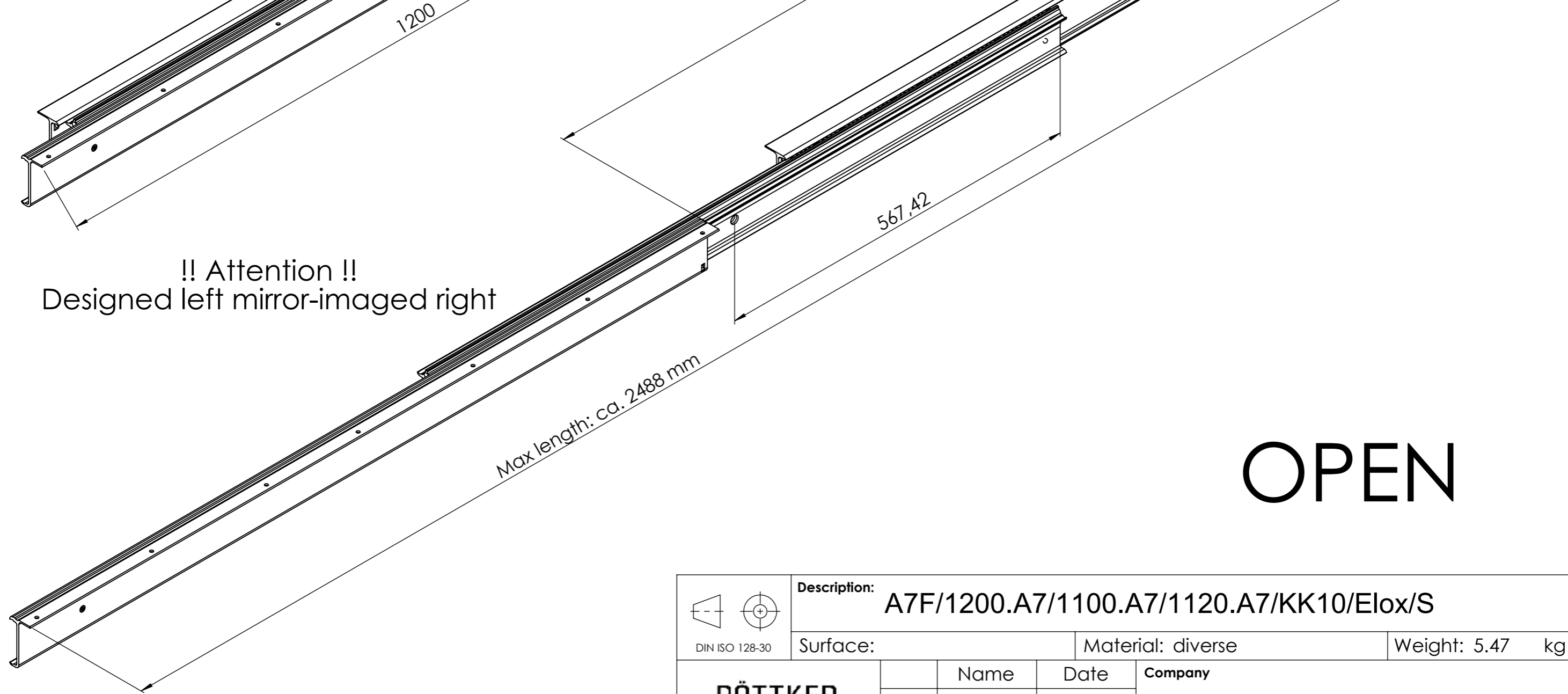
Opening: ca. 1288 mm

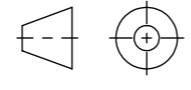

**!! Attention !!**  
Designed left mirror-imaged right

Max length: ca. 2488 mm

567,42

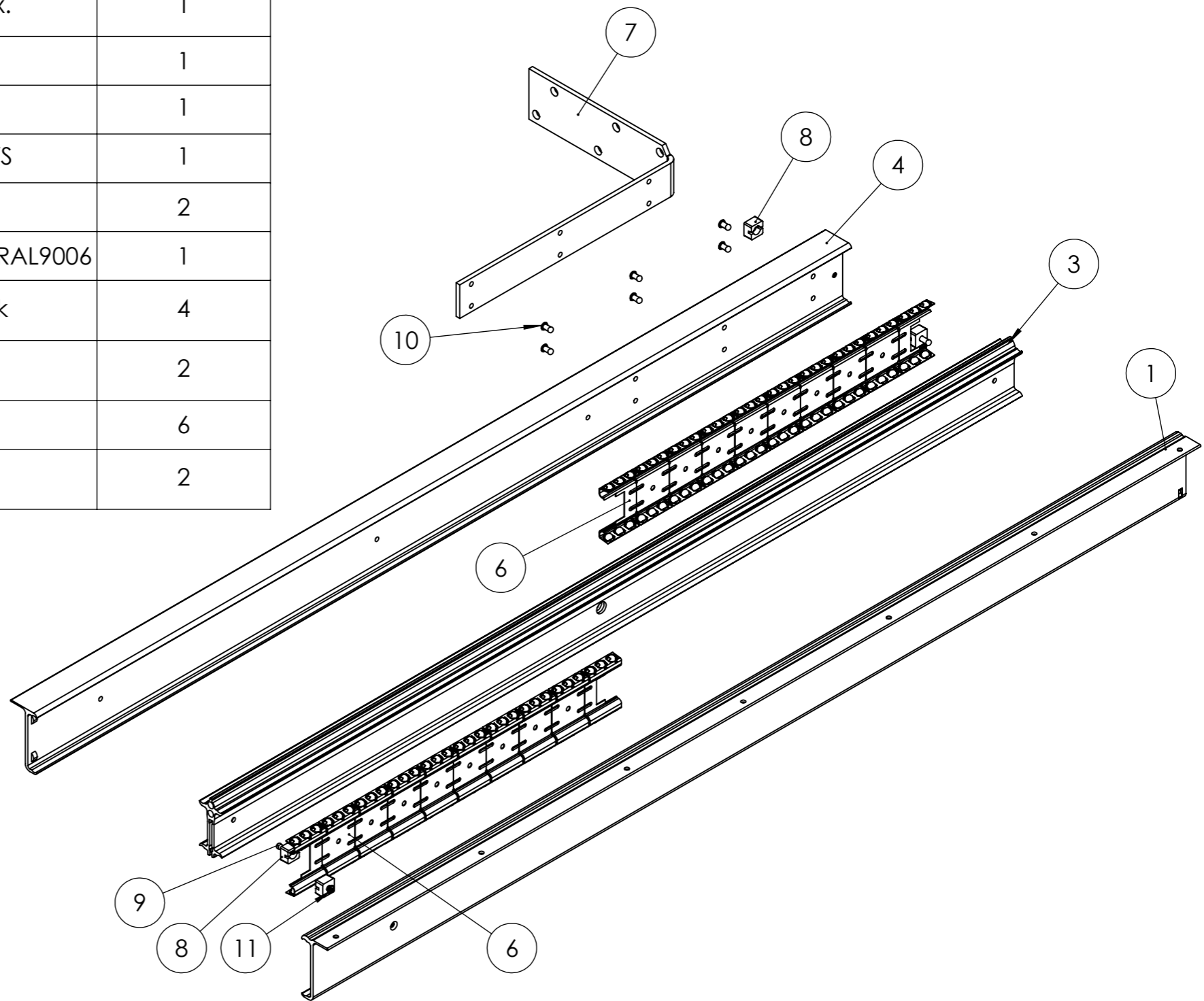
# OPEN



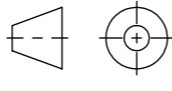

 DIN ISO 128-30	<b>Description:</b> A7F/1200.A7/1100.A7/1120.A7/KK10/Elox/S				
	<b>Surface:</b>		<b>Material:</b> diverse		<b>Weight:</b> 5.47 kg
 Transforming furniture	<b>Signed</b>	Name Woracek	Date 22.02.2016	Company	
	<b>Tested</b>			Second Company:	
General tolerance: DIN ISO 2768 - m		Item No:	<b>77120829</b>	Scale 1:5	Page 2/6

All property rights and rights to exploitation of copyright for this drawing data remain ours; they may not be made available to third parties without our consent.

POS.	Item.No	Artikelbezeichnung	Mengex2
1	78120531	AP2-A7F/1200.A7/Typ01/Links/Elox.	1
2	78120532	AP2-A7F/1200.A7/Typ01/Rechts/Elox.	1
3	78110606	MP-A7F/1100.A7/Elox/S	1
4	78112506	AP-A7F/1120.A7/Typ01/Links/Elox/S	1
5	78112507	AP-A7F/1120.A7/Typ01/Rechts/Elox/S	1
6	78990341	KK77_10_Al-Al_Elox	2
7	15353	90° Stahl-Frontverbinder, 300x5x40x60x200-RAL9006	1
8	16053	Würfelpstopp, 16x10x16/PA6.6-Plustek	4
9	15183	Blindniet Ø5x18 Form A Flachkopf	2
10	15122	Blindniet Ø5x12 Form A	6
11	15501	Blindniete 5x12 B Senkkopf Form B	2

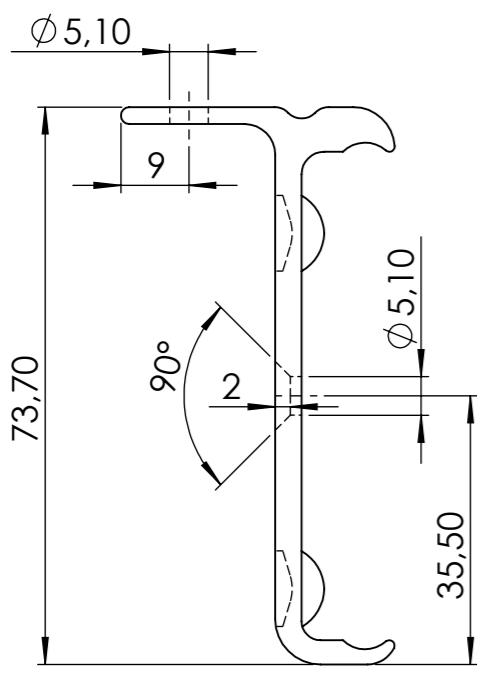
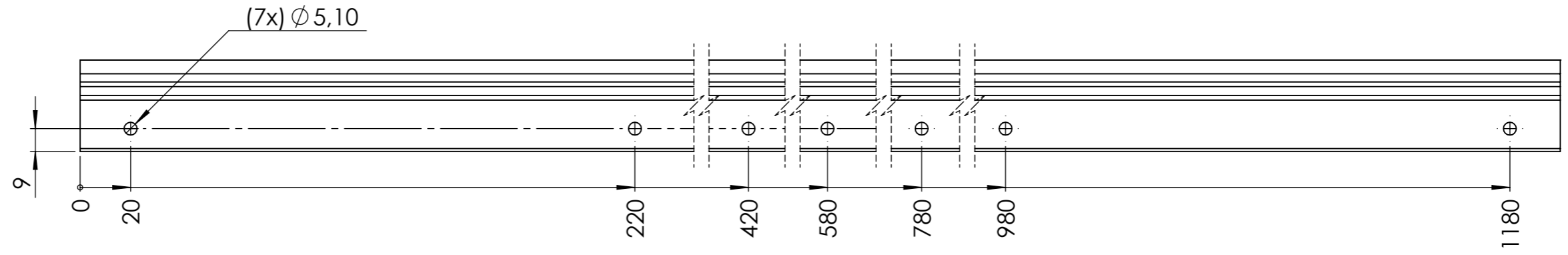
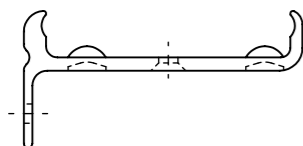
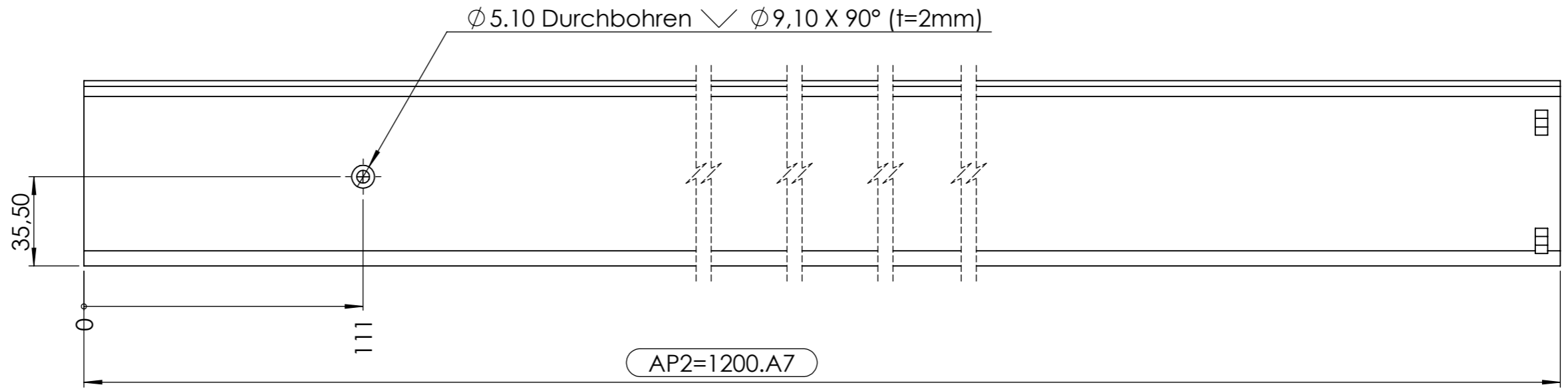
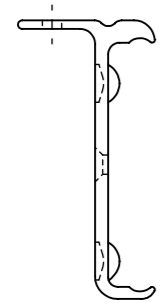


**!! Attention !!**  
Designed left mirror-imaged right

 DIN ISO 128-30	<b>Description:</b> A7F/1200.A7/1100.A7/1120.A7/KK10/Elox/S					
	<b>Surface:</b>		<b>Material:</b> diverse		<b>Weight:</b> 5.47 kg	
 Transforming furniture	<b>Name</b>	<b>Date</b>	<b>Company</b>			
	<b>Signed</b>	Woracek	22.02.2016	Second Company:		
<b>General tolerance:</b> DIN ISO 2768 - m		<b>Item No:</b>	77120829	<b>Scale</b> 1:5	<b>Page</b> 3/6	<b>A3</b>

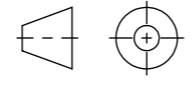

Bohrungs- und Profilschnittkanten  
Gratfrei nach DIN ISO 13715 (-0,1)

All property rights and rights to exploitation of copyright for this drawing data remain ours; they may not be made available to third parties without our consent.

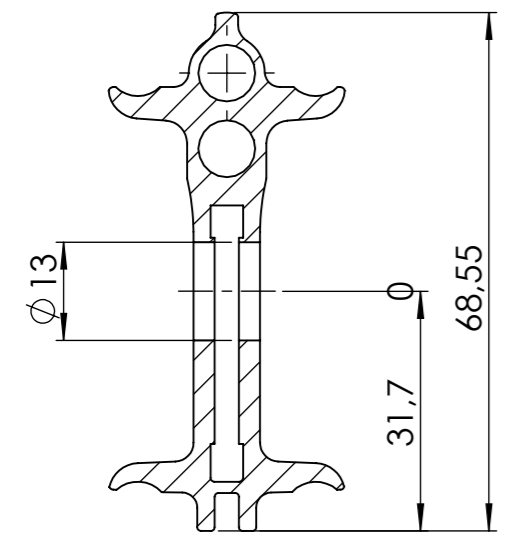
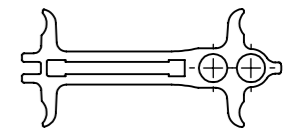
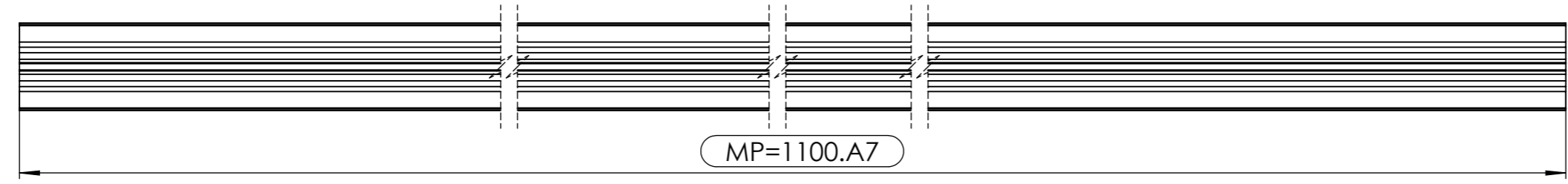
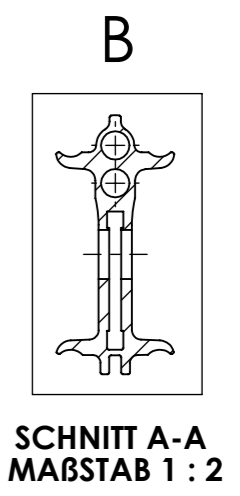
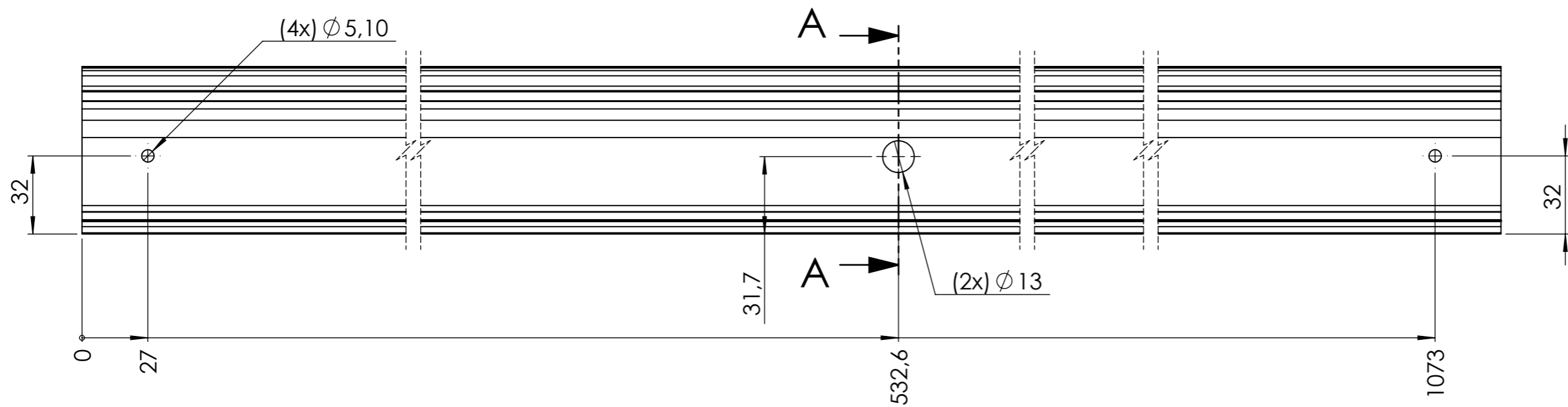


**!! Attention !!**  
Designed left mirror-imaged right

Bohrungs- und Profilschnittkanten  
Gratfrei nach DIN ISO 13715 (- 0,1)

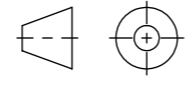

Index	Change			Date	Name	
 DIN ISO 128-30	Description: <b>AP2-A7F/1200.A7/Typ01/Links/Elox.</b>				Weight: 1.26 kg	
	Surface:		Material: 6060-T6			
 <b>PÖTTKER</b> Transforming furniture	Name	Date	Company			
	Signed	Woracek	22.02.2016	Second Company:		
General tolerance: DIN ISO 2768 - m		Item No:	<b>78120531</b>	Scale 1:2	Page 4/6	<b>A3</b>

All property rights and rights to exploitation of copyright for this drawing data remain ours; they may not be made available to third parties without our consent.

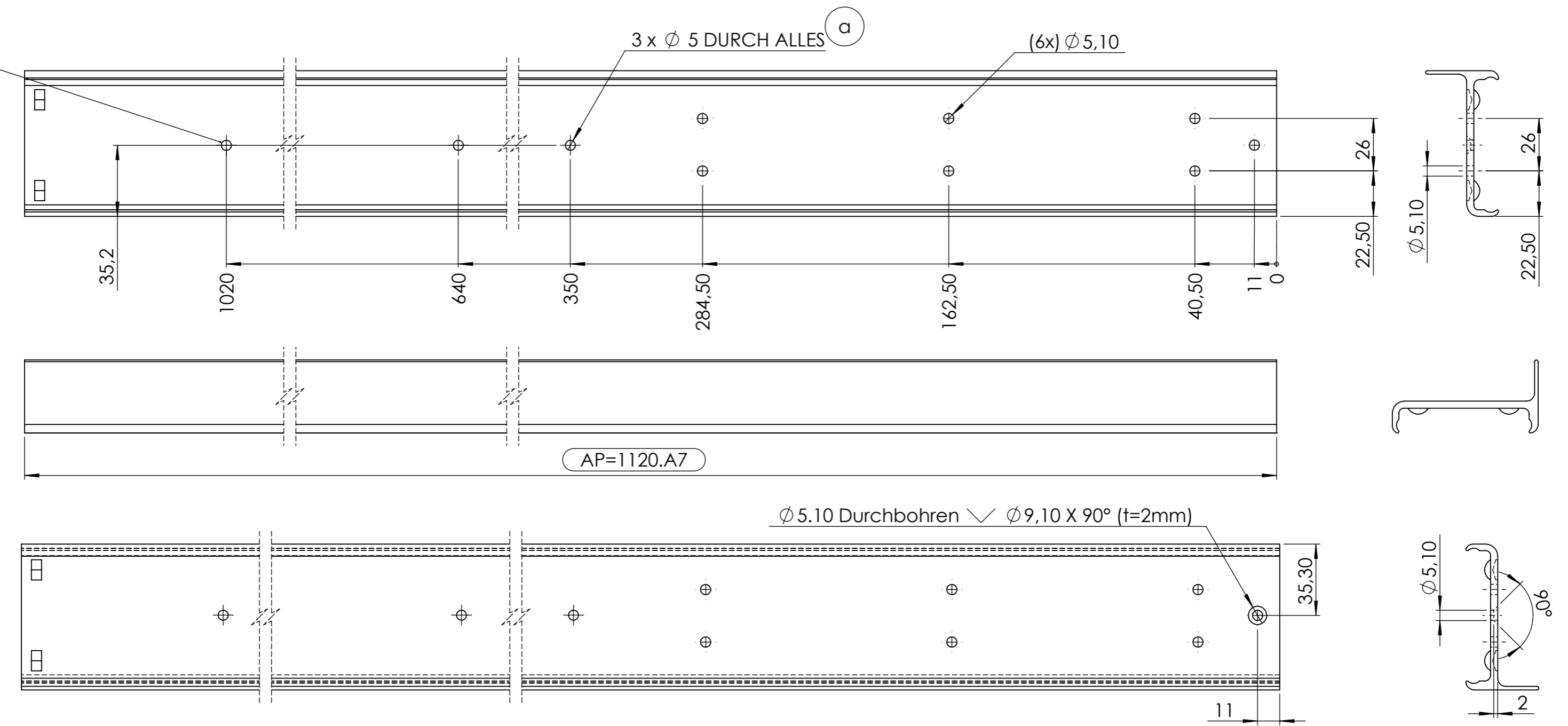


**DETAIL B**  
MABSTAB 1 : 1

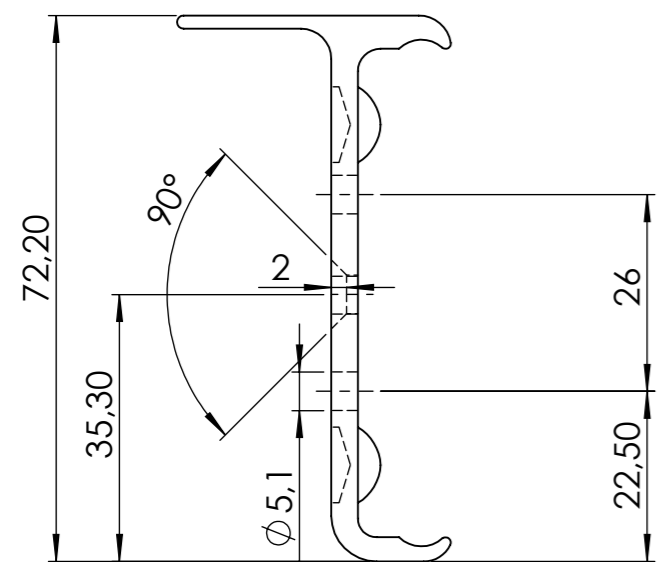
Bohrungs- und Profilschnittkanten  
Gratfrei nach DIN ISO 13715 (-0,1)

a	2 Mittelstopps entfernt / 1x Montagebohrung entfernt		07.07.2016	D.C
<b>Index</b>	<b>Change</b>		<b>Date</b>	<b>Name</b>
 Description: <b>MP-A7F/1100.A7/Elox/S</b>				
Surface:		Material: 6060-T66	Weight: 1.55 kg	
 Transforming furniture	Name	Date	Company	
	Signed	Woracek	22.02.2016	
	Tested			Second Company:
General tolerance: DIN ISO 2768 - m		Item No: <b>78110606</b>	Scale 1:2	Page 5/6
				<b>A3</b>

b



**!! Attention !!**  
Designed left mirror-imaged right



Bohrungs- und Profilschnittkanten  
Gratfrei nach DIN ISO 13715 (-0,1)

b	Bohrung versetzt	07.07.2016	D.C
a	Senkung Ø9x90° entfernt	24.02.2016	Woracek
Index	Change	Date	Name
Description: <b>AP-A7F/1120.A7/Typ01/Links/Elox/S</b>			
Surface:		Material: 6060-T6	Weight: 1.10 kg
PÖTTKER Transforming furniture	Name Woracek	Date 22.02.2016	Company Second Company:
	Tested		
General tolerance: DIN ISO 2768 - m		Item No: <b>78112506</b>	Scale 1:2 Page 6/6 <b>A3</b>

All property rights and rights to exploitation of copyright for this drawing data remain ours; they may not be made available to third parties without our consent.