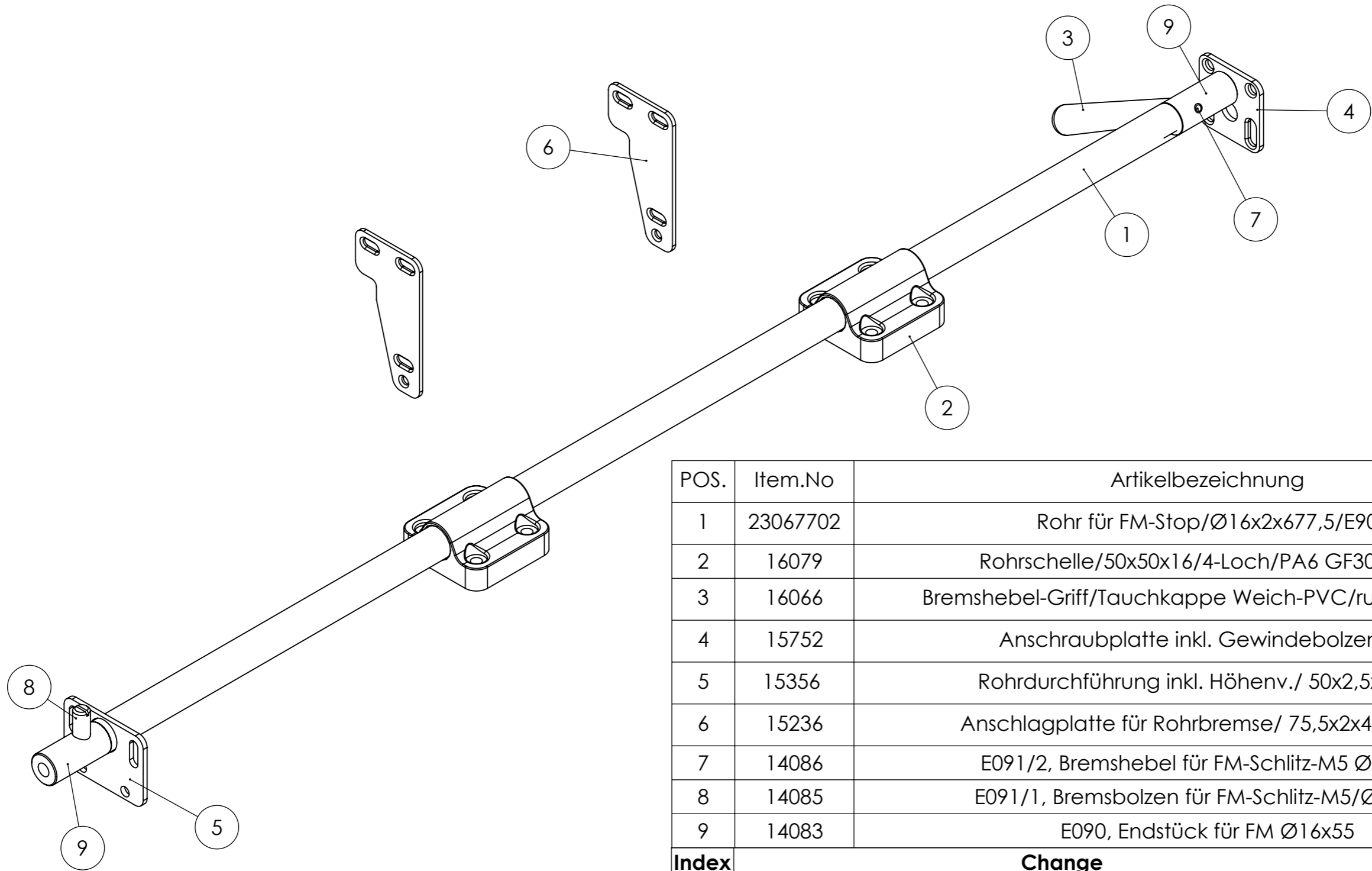
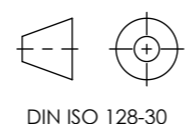


# LIEFERZUSTAND / DELIVERY STATE



| POS. | Item.No  | Artikelbezeichnung                                 | Menge |
|------|----------|--|-------|
| 1    | 23067702 | Rohr für FM-Stop/Ø16x2x677,5/E90                   | 1     |
| 2    | 16079    | Rohrschelle/50x50x16/4-Loch/PA6 GF30/silber        | 2     |
| 3    | 16066    | Bremshebel-Griff/Tauchkappe Weich-PVC/rund/schwarz | 1     |
| 4    | 15752    | Anschraubplatte inkl. Gewindebolzen M8             | 1     |
| 5    | 15356    | Rohrdurchführung inkl. Höhenv./ 50x2,5x38-vz       | 1     |
| 6    | 15236    | Anschlagplatte für Rohrbremse/ 75,5x2x40,5-LL-vz   | 2     |
| 7    | 14086    | E091/2, Bremshebel für FM-Schlitz-M5 Ø8x96,5       | 1     |
| 8    | 14085    | E091/1, Bremsbolzen für FM-Schlitz-M5/Ø8x29,3      | 1     |
| 9    | 14083    | E090, Endstück für FM Ø16x55                       | 2     |

| Index | Change | Date | Name |
|-------|--------|------|------|
|-------|--------|------|------|



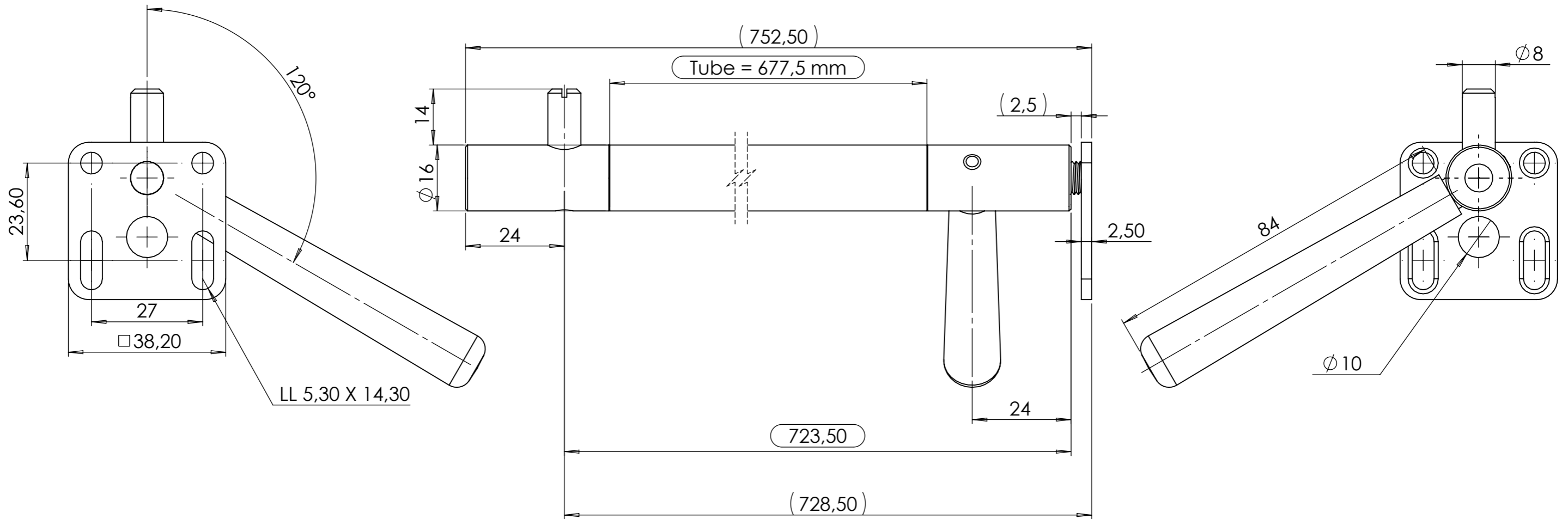
|   |  |                   |  |
|---|--|-------------------|--|
| <b>Description:</b><br>FM-Stop/Ø16x2x752,5/E91/2R+2A+1D |  |                   |  |
| Surface: galvanized                                     |  | Material: diverse |  |
|   |  | Weight: 0.80 kg   |  |

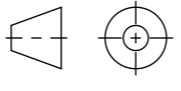
|  |        |            |            |
|--|--------|------------|------------|
| <b>PÖTTKER</b><br>Transforming furniture | Name   | Date       | Company    |
|  | Signed | Vandyck    |            |
|  | Tested | P. Vandyck | 30.11.2018 |

|                                     |                          |           |          |           |
|-------------------------------------|--------------------------|-----------|----------|-----------|
| General tolerance: DIN ISO 2768 - m | Item No: <b>23075106</b> | Scale 1:2 | Page 1/2 | <b>A3</b> |
|-------------------------------------|--------------------------|-----------|----------|-----------|

All property rights and rights to exploitation of copyright for this drawing data remain ours; they may not be made available to third parties without our consent.

All property rights and rights to exploitation of copyright for this drawing data remain ours; they may not be made available to third parties without our consent.



|   |  |                          |                   |                 |           |
|---|--|--------------------------|-------------------|-----------------|-----------|
| <br>DIN ISO 128-30 | <b>Description:</b><br>FM-Stop/ $\phi 16 \times 2 \times 752,5 / E91 / 2R + 2A + 1D$ |                          |                   | Weight: 0.80 kg |           |
|   | Surface: galvanized  |                          | Material: diverse |                 |           |
| <b>PÖTTKER</b><br>Transforming furniture  | Name   | Date                     | Company           |                 |           |
|   | <b>Signed</b>  | Vandyck                  | 30.04.2014        | Second Company: |           |
|   | <b>Tested</b>  | P. Vandyck               | 30.11.2018        |                 |           |
| General tolerance: DIN ISO 2768 - m   |  | Item No: <b>23075106</b> | Scale 1:1         | Page 2/2        | <b>A3</b> |